

# LED DISPLAY

product Catalogue

**Oasistek**<sup>®</sup>  
oasistek.com

**李洲科技股份有限公司**  
Taiwan Oasis Technology Co., Ltd.

**台北總公司 Taipei Headquarter**

22175 新北市汐止區新台五路一段97號27樓  
27F, No.97, Sec.1, Xintai 5th Rd., Xizhi Dist., New Taipei City 22175, Taiwan  
TEL: +886 2 2706-6258

**桃園營運總部 Taoyuan Manufacturing Center**

33341 桃園市龜山區山鶯路348號  
No. 348, Shanying Rd., Gueishan Dist, Taoyuan City 33341, Taiwan  
TEL: +886 3 319-3333

**東莞生產製造中心 Dongguan Manufacturing Center**

523591 廣東省東莞市謝崗鎮新城工業區  
Xincheng Industrial City, Xie Gang, Dong Guan, Guang Dong, China  
TEL: +86 769 8976-6888



## About Oasistek

Introduction 1

Milestones & Product Line 2

## Part Number Formation 3

## Digit Display

### Single Digit Display

TOS-2181	5	TOD-5202	26
TOS-3104	5	TOD-5221	26
TOS-3121	6	TOD-5241	27
TOS-3124	6	TOD-5261	27
TOS-3161	7	TOD-5263	28
TOS-3191	7	TOD-6201	28
TOS-3192	8	TOD-8201	29
TOS-4102	8	TOD-10201	29
TOS-4105	8	TOD-18201	30
TOS-4105	9	TOD-23201	30
TOS-5101	9	TOD-40201	31
TOS-5105	10		
TOS-5106	10		
TOS-5121	11		
TOS-5161	11		
TOS-5163	12		
TOS-5165	12		
TOS-5166	13		
TOS-8102	13		
TOS-8103	14		
TOS-8105	14		
TOS-1102	15		
TOS-1103	15		
TOS-1106	16		
TOS-12101	16		
TOS-15102	17		
TOS-15103	17		
TOS-18102	18		
TOS-18104	18		
TOS-20101	19		
TOS-20102	19		
TOS-23101	20		
TOS-23102	20		
TOS-40101	21		
TOS-70101	21		

### Triple Digit Display

TOT-2381	31
TOT-3301	32
TOT-3361	32
TOT-4301	33
TOT-5321	33
TOT-5341	34
TOT-5361	34
TOT-5363	35
TOT-8302	35

### Four Digit Display

TOF-2451	36
TOF-2481	36
TOF-3407	37
TOF-3461	37
TOF-3491	38
TOF-3492	38
TOF-4403	39
TOF-5421	39
TOF-5441	40
TOF-5461	40
TOF-5462	41
TOF-5465	41
TOF-6408	42

### Five Digit Display

TOF-5521	42
----------	----

### Dual Digit Display

TOD-2281	22
TOD-3203	22
TOD-3261	23
TOD-3291	23
TOD-3292	24
TOD-3294	24
TOD-4201	25
TOD-4231	25

## SMD Display

### Single Digit SMD Display

TOS-F2101	43
TOS-F2181	43
TOS-F3102	44
TOS-F3104	44
TOS-F3124	45

### Dual Digit SMD Display

TOD-F2201	45
TOD-F2281	46

### Triple Digit SMD Display

TOT-F2303	46
TOT-F2381	47
TOT-F3301	47

## Dot Matrix Display

### 5×7

TOM-757	48
TOM-D757	48
TOM-1057	49
TOM-1157	49
TOM-2057	50
TOM-3057	50
TOM-4057	51

### 5×8

TOM-1058	52
TOM-2058	52
TOM-3058	53
TOM-4058	53

### 8×8

TOM-788	54
TOM-1088	54
TOM-1588	55
TOM-1988	55
TOM-2088	56
TOM-5188	56

### 16×16

TOM-D1216	58
TOM-D1316	58
TOM-D1516	59
TOM-D1616	59
TOM-D2516	60

### RGB

TOM-1088	61
TOM-D2516	61

## Dot Matrix Display Module

### 5×7

TOMD-0457-MCU	62
TOMD-0457	62
TOMD-0557	63
TOMD-2457	63

### 5×8

TOMD-0858-U	64
-------------	----

### 8×32

TOMD-FPC	64
----------	----

## Light Bar

TOA-B10	65
TOA-L10	65
TOA-L17	66
TOA-L2500	66
TOA-L2700	67

# Oasistek® Taiwan Oasis Technology Co., Ltd.

## Introduction

Taiwan Oasis Technology Co., Ltd., was established by Mr. Ming-Shun Lee in 1974 with an ideal to provide the marketplace simplicity, integrity reliability, progress, precision, and innovation.

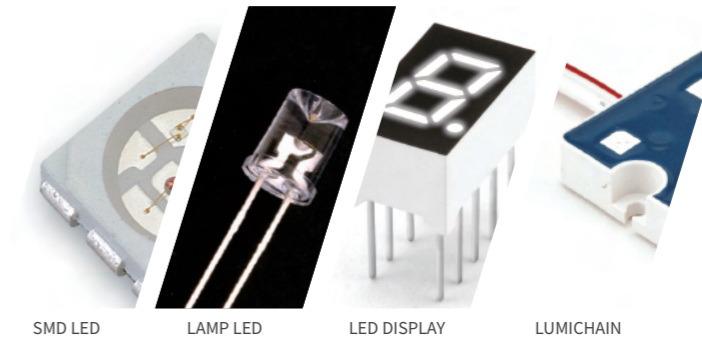
The company started its life initially as a dedicated downstream LED technology manufacturing service focused on items such as plastic molding, injection and packing.

As Oasistek expanded its business vertically and upgraded its competencies, it soon began to move into producing a complete range of products, such as High Power LEDs, LAMP LEDs, SMD LEDs, LED Displays and Lighting. Additionally, Oasistek also offers customization manufacturing services to help customers' meet their sales targets.

In recent years, Oasistek has proudly introduced its LED Video Display and Lumichain™ series to the marketplace. Oasistek has been applauded globally and is reputed as a pioneer in Taiwan for being the 1st Taiwanese LED manufacturer to consistently supply the Japanese market.



Taiwan Headquarter      Taoyuan Manufacturing Center      Dong Guan Manufacturing Center



SMD LED      LAMP LED      LED DISPLAY      LUMICHAIN

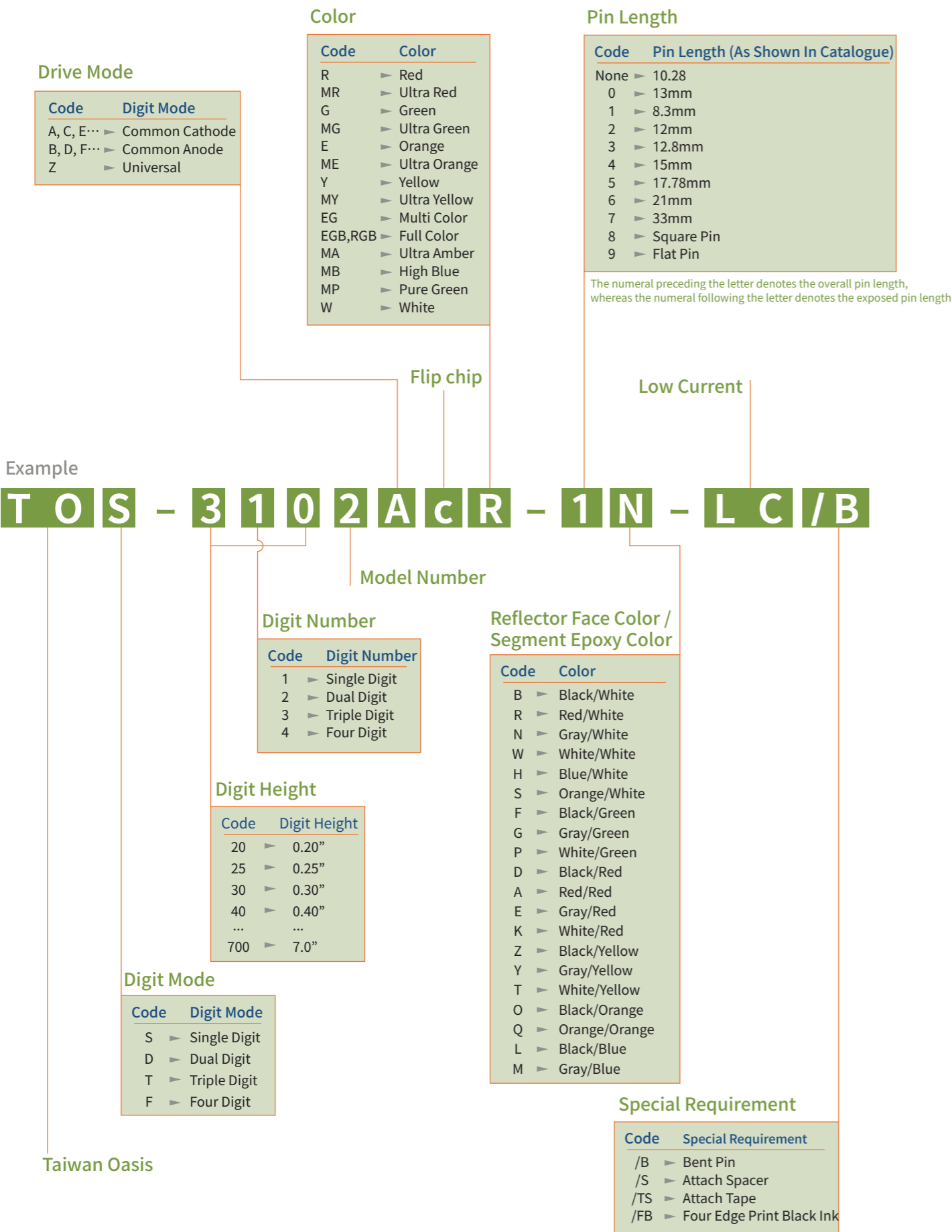
## Milestones

- 2021 The Semiconductor Business Unit is formally established.
- 2016 The new office center at Xizhi was established, and completed the integration and operation of the Group's operation center. Started planning for the Semiconductor Business Unit.
- 2011 Launched a series of interior commercial lighting products.
- 2010 Launched "Star Vessel" which is functional and designing outdoor street light.
- 2009 Adopted a new brand identity "Oasistek" and a renewed spirit.
- 2008 China Hwa-Tai Factory completed. Adopted Green Policy. Lumichain trademark registered
- 2007 Began offering full product range from LEDs components to LED Video Displays.
- 2005 Announced partnership with leading Japanese corporation, White LED Technology. Lumichain series launched.
- 2004 Publicly Listed on the Taiwan Stock Exchange. ISO/TS 16949 Certified.
- 2003 Inaugurated fully automated line for LED Display production.
- 2001 Renamed to Taiwan Oasis Technology Co., Ltd. QS 9000 Certificated.
- 1999 Begun SMD LED mass production. China factories ISO 9002 certified.
- 1998 Approval of Stock Issuance. Patent awarded for LED Packaging technology. Taiwan factories ISO 9002 certified
- 1996 Kwei Shan, Taiwan factory completed. Completed LED products launched.
- 1994 Merged with Lihsin Co., Ltd. Patent awarded for advanced CD package design.
- 1990 Dong-Guan, China factory completed. Patent awarded for assembling exchangeable plastic injection mold structures.
- 1989 Chung-Ho, Taiwan factory completed. Manufacturing of LED Indicators and LED Displays.
- 1984 Nan-Kan, Taiwan No.2 completed. PCB Manufacturing.
- 1980 Nan-Kan, Taiwan Factory No.1 completed. Manufacturing of Plastic Molds, Plastic Injections and, Reflectors for LED.
- 1974 Taiwan Oasis Enterprise Co., Ltd founded.

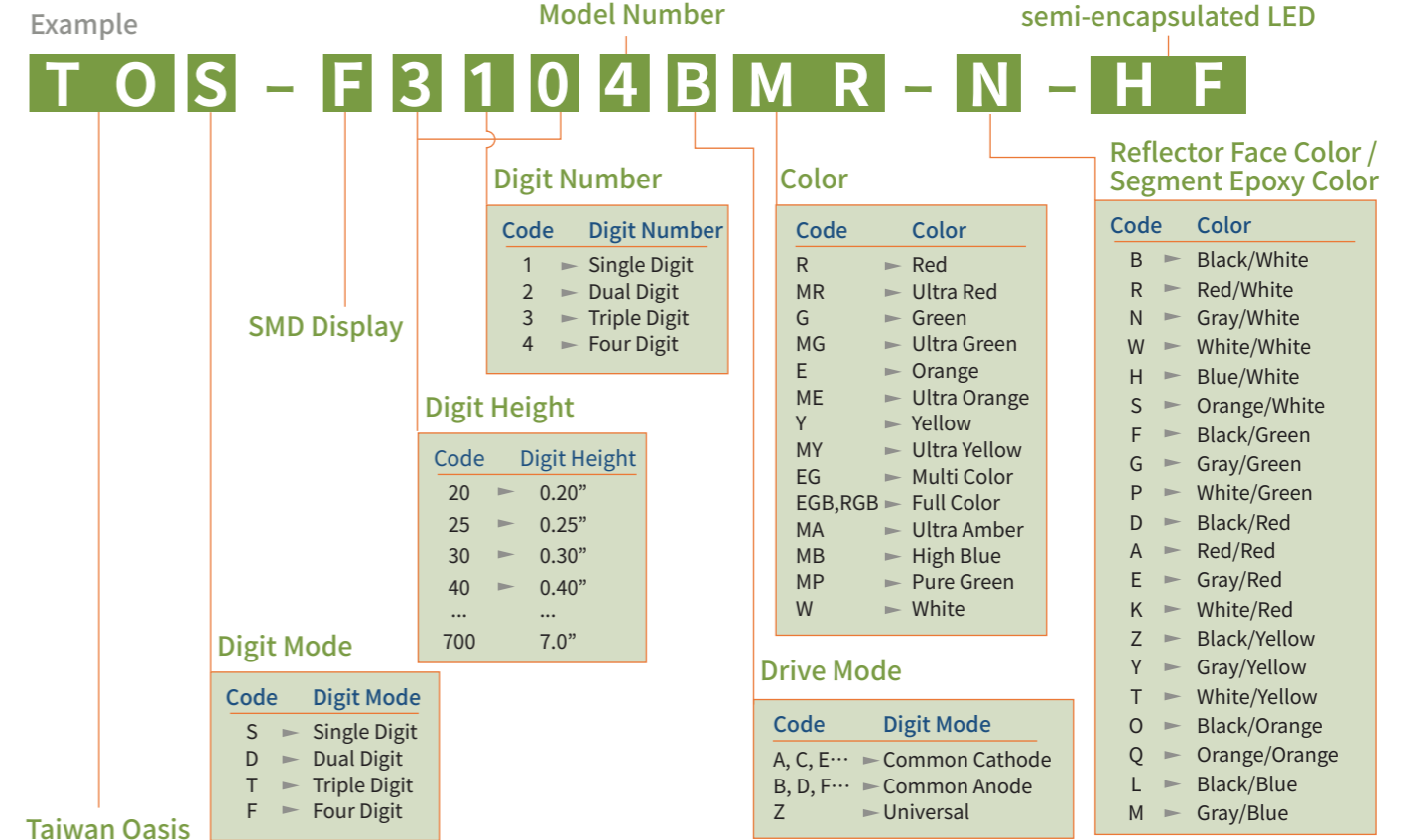
## Product Line

- | 1   | 2   | 3   | 4   |
|---|---|---|---|
| <b>LED Component Group</b> <ul style="list-style-type: none"> <li>▶ LED Lamps</li> <li>▶ SMD LED</li> <li>▶ High Power LED</li> <li>▶ Holder Lamp</li> <li>▶ LED Display                             <ul style="list-style-type: none"> <li>▶ Seven Segment</li> <li>▶ Alphanumeric</li> <li>▶ Light Bar</li> <li>▶ Dot Matrix</li> </ul> </li> </ul> | <b>Lighting Module Group</b> <ul style="list-style-type: none"> <li>▶ Lamp / Display Module</li> <li>▶ Backlight Module</li> <li>▶ Traffic Signal Module</li> <li>▶ Street Lamp Module</li> </ul> | <b>System Group</b> <ul style="list-style-type: none"> <li>▶ Lumichain™</li> <li>▶ LED Cluster</li> </ul> | <b>Extended Customization Group</b> <ul style="list-style-type: none"> <li>▶ Mold</li> <li>▶ Plastic                             <ul style="list-style-type: none"> <li>▶ Reflector</li> <li>▶ Light-guide Plate</li> <li>▶ Backlight Board</li> <li>▶ LED Through Holder</li> <li>▶ LED Cover Part</li> </ul> </li> <li>▶ PCB</li> </ul> |

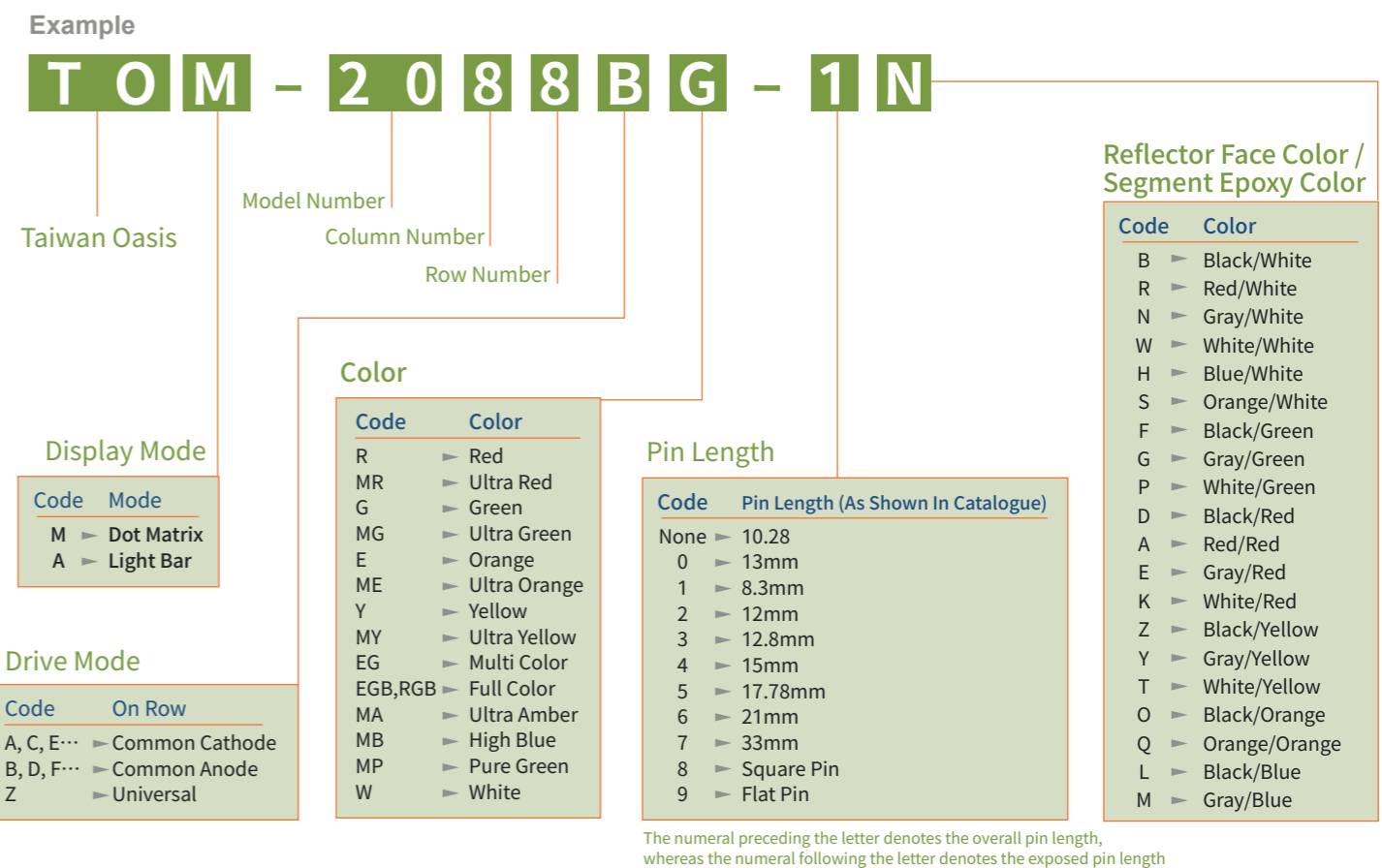
## Digit Display



## SMD Display



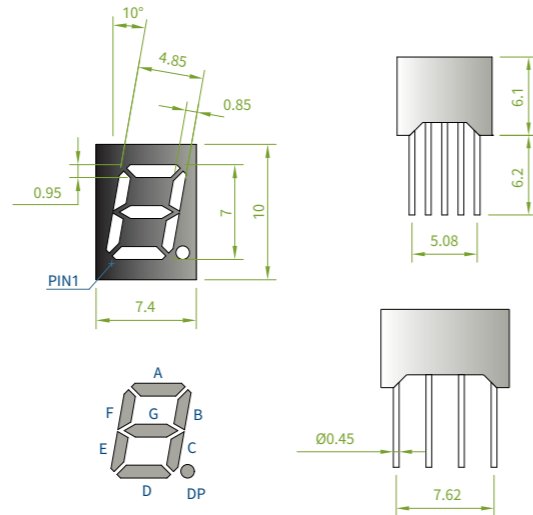
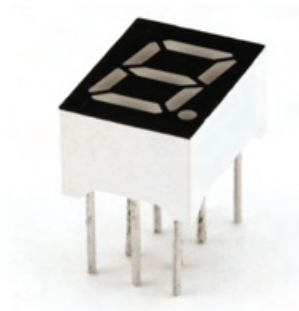
## Dot Matrix Display / Light Bar



TOS

# TOS-2181

0.28" Single Digit Display



**Features**

- 0.28 inch digit height
- Various color
- IC compatible
- Excellent color uniformity
- Low current operation available
- Design flexibility



**Application**

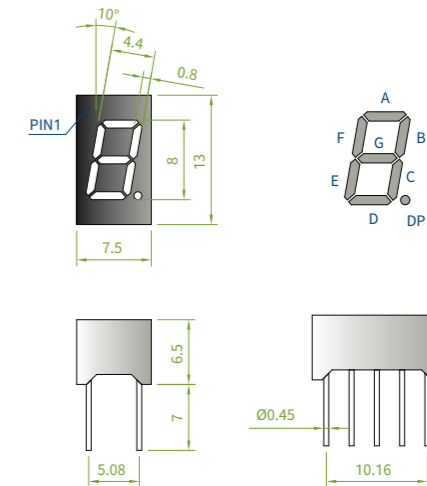
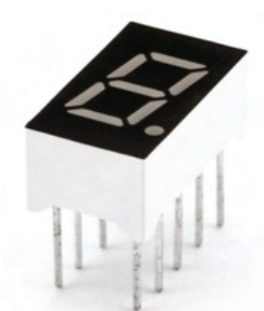
- Medical and industrial equipments
- Cashier machine and billboard
- Consumer and gaming electronics application
- Home appliance display application
- Customization product

Chip			Face Color	VF(V) at IF=20mA	
Material	Emitted Color	$\lambda_d$ (nm)		TYP.	MAX.
AlGaInP	Ultra-Green	572	Optional	2.0	2.3
AlGaInP	Ultra-Yellow	590		2.0	2.3
AlGaInP	Ultra-Orange	623		2.0	2.3
AlGaInP	Ultra-Red	630		2.0	2.3

TOS

# TOS-3121

0.32" Single Digit Display



**Features**

- 0.32 inch digit height
- Various color
- IC compatible
- Excellent color uniformity
- Low current operation available
- Design flexibility



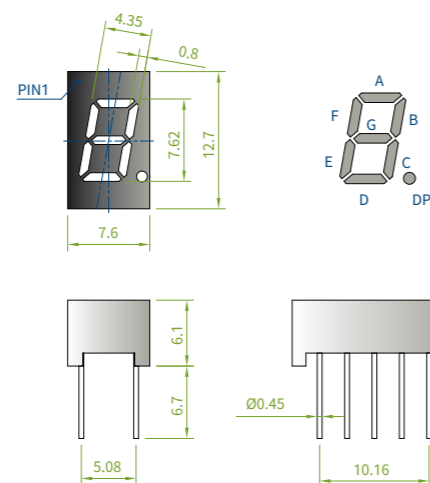
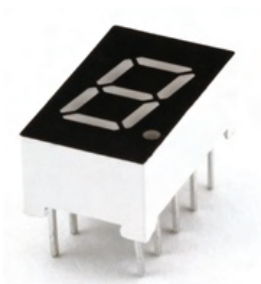
**Application**

- Medical and industrial equipments
- Cashier machine and billboard
- Consumer and gaming electronics application
- Home appliance display application
- Customization product

Chip			Face Color	VF(V) at IF=20mA	
Material	Emitted Color	$\lambda_d$ (nm)		TYP.	MAX.
AlGaInP	Ultra-Green	572	Optional	2.0	2.3
AlGaInP	Ultra-Yellow	590		2.0	2.3
AlGaInP	Ultra-Orange	623		2.0	2.3
AlGaInP	Ultra-Red	630		2.0	2.3

# TOS-3104

0.30" Single Digit Display



**Features**

- 0.30 inch digit height
- Various color
- IC compatible
- Excellent color uniformity
- Low current operation available
- Design flexibility



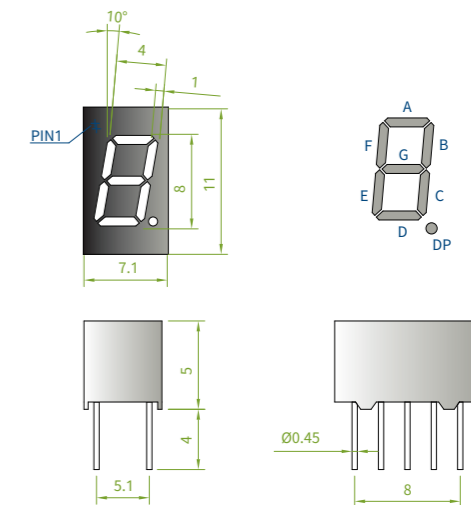
**Application**

- Medical and industrial equipments
- Cashier machine and billboard
- Consumer and gaming electronics application
- Home appliance display application
- Customization product

Chip			Face Color	VF(V) at IF=20mA	
Material	Emitted Color	$\lambda_d$ (nm)		TYP.	MAX.
AlGaInP	Ultra-Green	572	Optional	2.0	2.3
AlGaInP	Ultra-Yellow	590		2.0	2.3
AlGaInP	Ultra-Orange	623		2.0	2.3
AlGaInP	Ultra-Red	630		2.0	2.3

# TOS-3124

0.32" Single Digit Display



**Features**

- 0.32 inch digit height
- Various color
- IC compatible
- Excellent color uniformity
- Low current operation available
- Design flexibility



**Application**

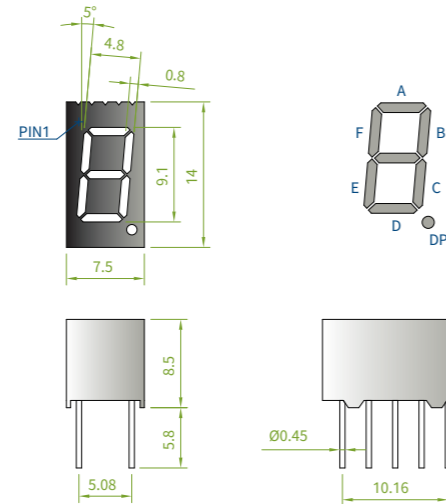
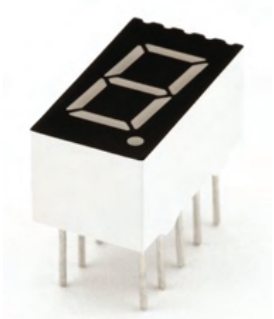
- Medical and industrial equipments
- Cashier machine and billboard
- Consumer and gaming electronics application
- Home appliance display application
- Customization product

Chip			Face Color	VF(V) at IF=20mA	
Material	Emitted Color	$\lambda_d$ (nm)		TYP.	MAX.
AlGaInP	Ultra-Green	572	Optional	2.0	2.3
AlGaInP	Ultra-Yellow	590		2.0	2.3
AlGaInP	Ultra-Orange	623		2.0	2.3
AlGaInP	Ultra-Red	630		2.0	2.3

TOS

# TOS-3161

0.36" Single Digit Display



**Features**

- 0.36 inch digit height
- Various color
- IC compatible
- Excellent color uniformity
- Low current operation available
- Design flexibility

**Application**

- Medical and industrial equipments
- Cashier machine and billboard
- Consumer and gaming electronics application
- Home appliance display application
- Customization product

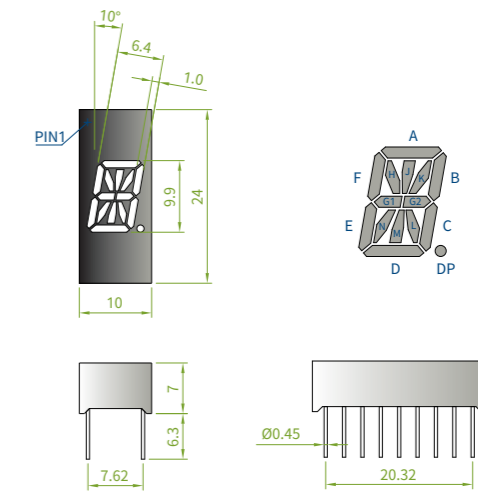
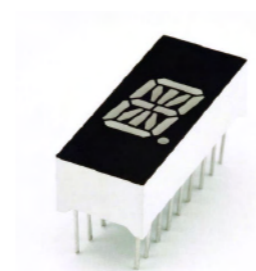


Chip			Face Color	VF(V) at IF=20mA	
Material	Emitted Color	$\lambda_d$ (nm)		TYP.	MAX.
AlGaInP	Ultra-Green	572	Optional	2.0	2.3
AlGaInP	Ultra-Yellow	590		2.0	2.3
AlGaInP	Ultra-Orange	623		2.0	2.3
AlGaInP	Ultra-Red	630		2.0	2.3

TOS

# TOS-3192

0.39" Single Digit Display  
Alphanumeric



**Features**

- 0.39 inch digit height
- Various color
- IC compatible
- Excellent color uniformity
- Low current operation available
- Design flexibility

**Application**

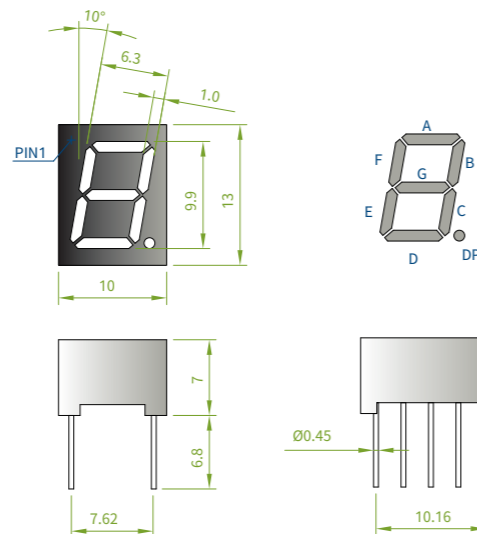
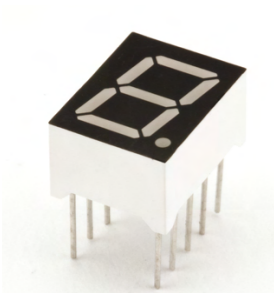
- Medical and industrial equipments
- Cashier machine and billboard
- Consumer and gaming electronics application
- Home appliance display application
- Customization product



Chip			Face Color	VF(V) at IF=20mA	
Material	Emitted Color	$\lambda_d$ (nm)		TYP.	MAX.
AlGaInP	Ultra-Green	572	Optional	2.0	2.3
AlGaInP	Ultra-Yellow	590		2.0	2.3
AlGaInP	Ultra-Orange	623		2.0	2.3
AlGaInP	Ultra-Red	630		2.0	2.3

# TOS-3191

0.39" Single Digit Display



**Features**

- 0.39 inch digit height
- Various color
- IC compatible
- Excellent color uniformity
- Low current operation available
- Design flexibility

**Application**

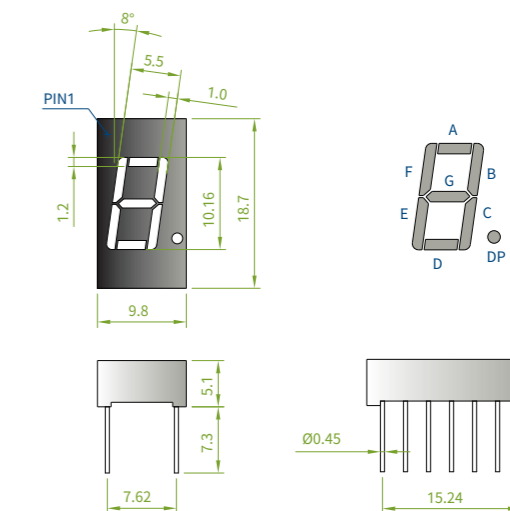
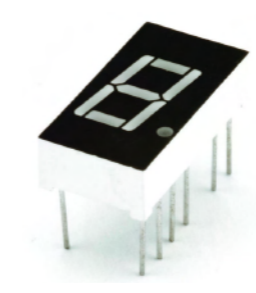
- Medical and industrial equipments
- Cashier machine and billboard
- Consumer and gaming electronics application
- Home appliance display application
- Customization product



Chip			Face Color	VF(V) at IF=20mA	
Material	Emitted Color	$\lambda_d$ (nm)		TYP.	MAX.
AlGaInP	Ultra-Green	572	Optional	2.0	2.3
AlGaInP	Ultra-Yellow	590		2.0	2.3
AlGaInP	Ultra-Orange	623		2.0	2.3
AlGaInP	Ultra-Red	630		2.0	2.3

# TOS-4102

0.40" Single Digit Display



**Features**

- 0.40 inch digit height
- Various color
- IC compatible
- Excellent color uniformity
- Low current operation available
- Design flexibility

**Application**

- Medical and industrial equipments
- Cashier machine and billboard
- Consumer and gaming electronics application
- Home appliance display application
- Customization product

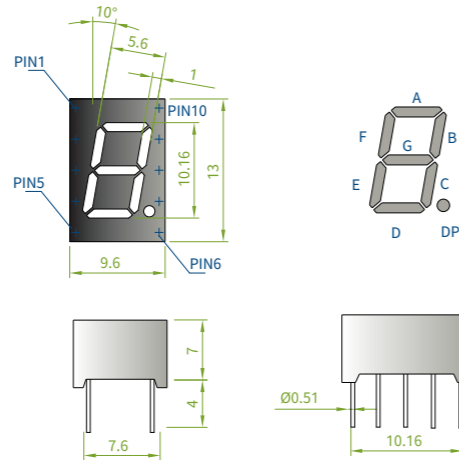


Chip			Face Color	VF(V) at IF=20mA	
Material	Emitted Color	$\lambda_d$ (nm)		TYP.	MAX.
AlGaInP	Ultra-Green	572	Optional	2.0	2.3
AlGaInP	Ultra-Yellow	590		2.0	2.3
AlGaInP	Ultra-Orange	623		2.0	2.3
AlGaInP	Ultra-Red	630		2.0	2.3

TOS

# TOS-4105

0.40" Single Digit Display



- Features**
- 0.40 inch digit height
  - Various color
  - IC compatible
  - Excellent color uniformity
  - Low current operation available
  - Design flexibility



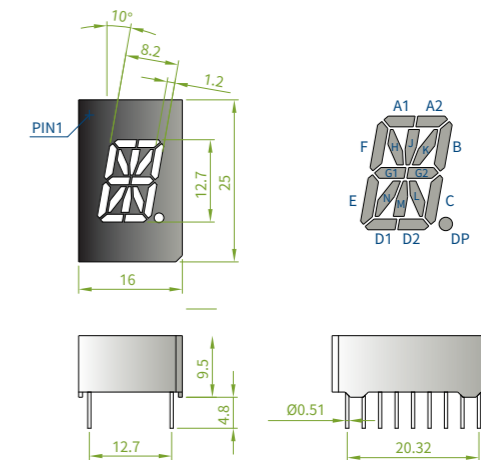
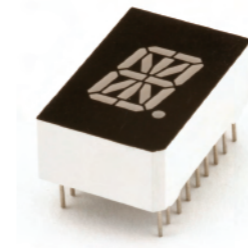
- Application**
- Medical and industrial equipments
  - Cashier machine and billboard
  - Consumer and gaming electronics application
  - Home appliance display application
  - Customization product

Chip			Face Color	VF(V) at IF=20mA	
Material	Emitted Color	$\lambda_d$ (nm)		TYP.	MAX.
AlGaInP	Ultra-Green	572	Optional	2.0	2.3
AlGaInP	Ultra-Yellow	590		2.0	2.3
AlGaInP	Ultra-Orange	623		2.0	2.3
AlGaInP	Ultra-Red	630		2.0	2.3

TOS

# TOS-5105

0.50" Single Digit Display  
Alphanumeric



- Features**
- 0.50 inch digit height
  - Various color
  - IC compatible
  - Excellent color uniformity
  - Low current operation available
  - Design flexibility

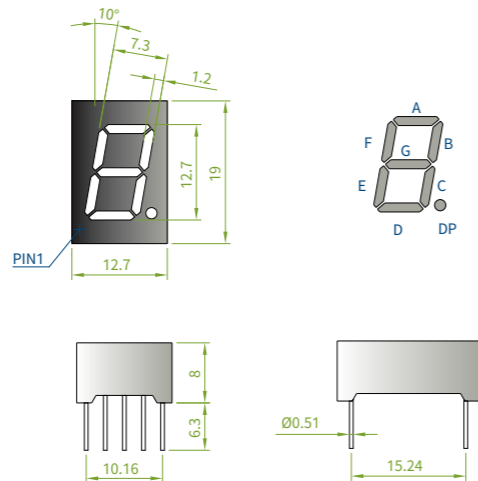
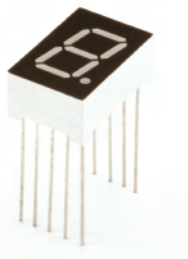


- Application**
- Medical and industrial equipments
  - Cashier machine and billboard
  - Consumer and gaming electronics application
  - Home appliance display application
  - Customization product

Chip			Face Color	VF(V) at IF=20mA	
Material	Emitted Color	$\lambda_d$ (nm)		TYP.	MAX.
AlGaInP	Ultra-Green	572	Optional	2.0	2.3
AlGaInP	Ultra-Yellow	590		2.0	2.3
AlGaInP	Ultra-Orange	623		2.0	2.3
AlGaInP	Ultra-Red	630		2.0	2.3

# TOS-5101

0.50" Single Digit Display



- Features**
- 0.50 inch digit height
  - Various color
  - IC compatible
  - Excellent color uniformity
  - Low current operation available
  - Design flexibility

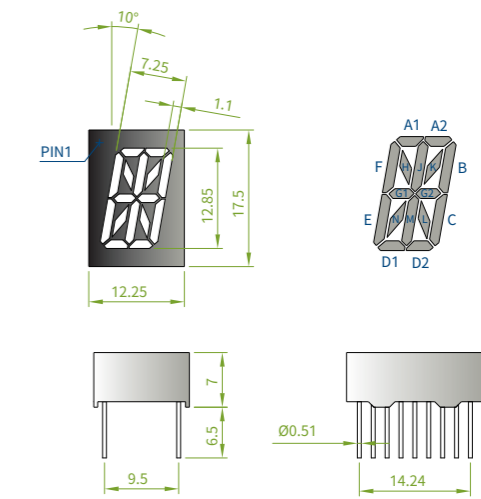
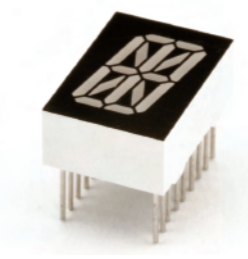


- Application**
- Medical and industrial equipments
  - Cashier machine and billboard
  - Consumer and gaming electronics application
  - Home appliance display application
  - Customization product

Chip			Face Color	VF(V) at IF=20mA	
Material	Emitted Color	$\lambda_d$ (nm)		TYP.	MAX.
AlGaInP	Ultra-Green	572	Optional	2.0	2.3
AlGaInP	Ultra-Yellow	590		2.0	2.3
AlGaInP	Ultra-Orange	623		2.0	2.3
AlGaInP	Ultra-Red	630		2.0	2.3

# TOS-5106

0.50" Single Digit Display  
Alphanumeric



- Features**
- 0.50 inch digit height
  - Various color
  - IC compatible
  - Excellent color uniformity
  - Low current operation available
  - Design flexibility



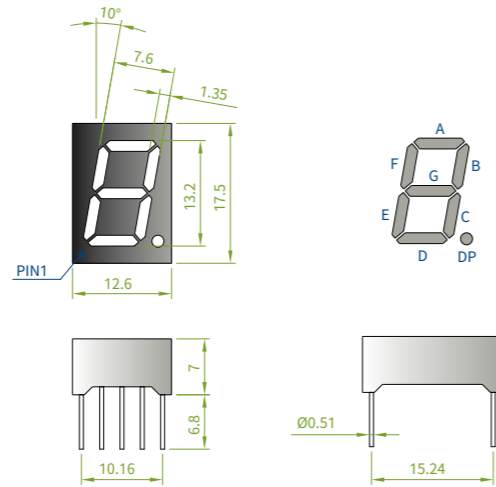
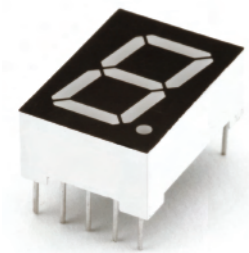
- Application**
- Medical and industrial equipments
  - Cashier machine and billboard
  - Consumer and gaming electronics application
  - Home appliance display application
  - Customization product

Chip			Face Color	VF(V) at IF=20mA	
Material	Emitted Color	$\lambda_d$ (nm)		TYP.	MAX.
AlGaInP	Ultra-Green	572	Optional	2.0	2.3
AlGaInP	Ultra-Yellow	590		2.0	2.3
AlGaInP	Ultra-Orange	623		2.0	2.3
AlGaInP	Ultra-Red	630		2.0	2.3

TOS

# TOS-5121

0.52" Single Digit Display



**Features**

- 0.52 inch digit height
- Various color
- IC compatible
- Excellent color uniformity
- Low current operation available
- Design flexibility



**Application**

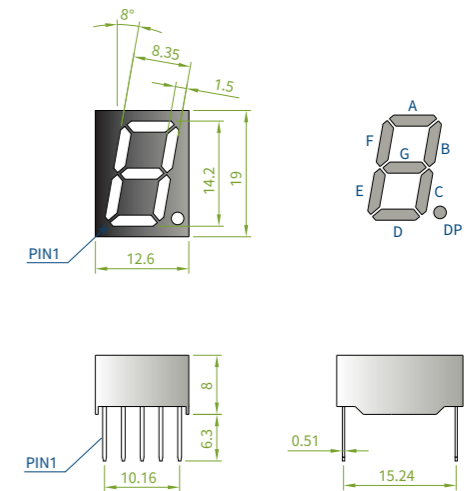
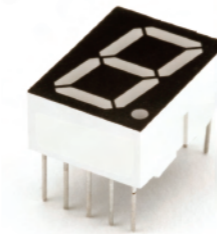
- Medical and industrial equipments
- Cashier machine and billboard
- Consumer and gaming electronics application
- Home appliance display application
- Customization product

Chip			Face Color	VF(V) at IF=20mA	
Material	Emitted Color	$\lambda_d$ (nm)		TYP.	MAX.
AlGaInP	Ultra-Green	572	Optional	2.0	2.3
AlGaInP	Ultra-Yellow	590		2.0	2.3
AlGaInP	Ultra-Orange	623		2.0	2.3
AlGaInP	Ultra-Red	630		2.0	2.3

TOS

# TOS-5163

0.56" Single Digit Display



**Features**

- 0.56 inch digit height
- Various color
- IC compatible
- Excellent color uniformity
- Low current operation available
- Design flexibility



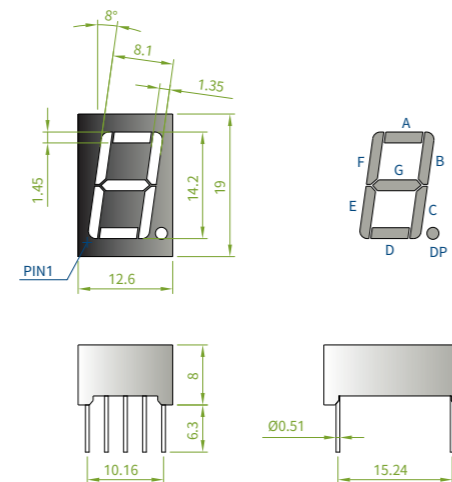
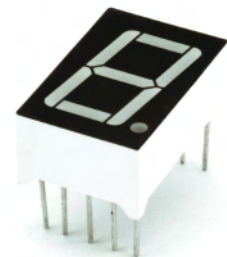
**Application**

- Medical and industrial equipments
- Cashier machine and billboard
- Consumer and gaming electronics application
- Home appliance display application
- Customization product

Chip			Face Color	VF(V) at IF=20mA	
Material	Emitted Color	$\lambda_d$ (nm)		TYP.	MAX.
AlGaInP	Ultra-Green	572	Optional	2.0	2.3
AlGaInP	Ultra-Yellow	590		2.0	2.3
AlGaInP	Ultra-Orange	623		2.0	2.3
AlGaInP	Ultra-Red	630		2.0	2.3

# TOS-5161

0.56" Single Digit Display



**Features**

- 0.56 inch digit height
- Various color
- IC compatible
- Excellent color uniformity
- Low current operation available
- Design flexibility



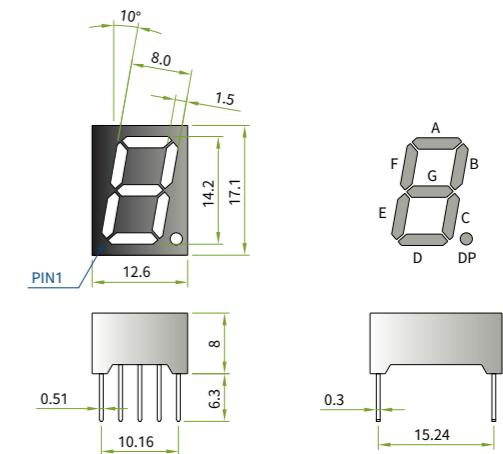
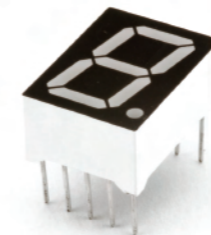
**Application**

- Medical and industrial equipments
- Cashier machine and billboard
- Consumer and gaming electronics application
- Home appliance display application
- Customization product

Chip			Face Color	VF(V) at IF=20mA	
Material	Emitted Color	$\lambda_d$ (nm)		TYP.	MAX.
AlGaInP	Ultra-Green	572	Optional	2.0	2.3
AlGaInP	Ultra-Yellow	590		2.0	2.3
AlGaInP	Ultra-Orange	623		2.0	2.3
AlGaInP	Ultra-Red	630		2.0	2.3

# TOS-5165

0.56" Single Digit Display



**Features**

- 0.56 inch digit height
- Various color
- IC compatible
- Excellent color uniformity
- Low current operation available
- Design flexibility



**Application**

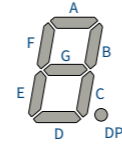
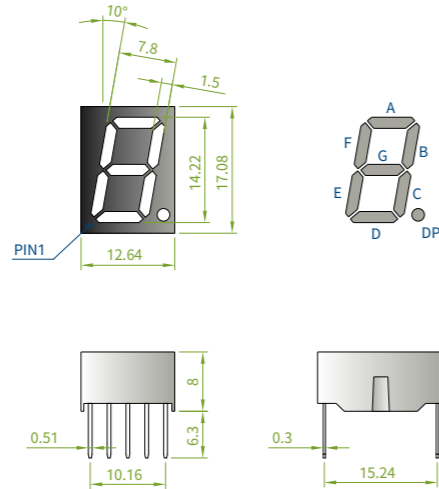
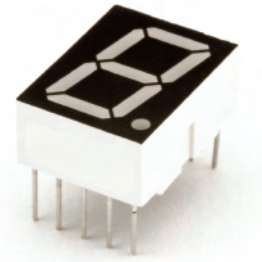
- Medical and industrial equipments
- Cashier machine and billboard
- Consumer and gaming electronics application
- Home appliance display application
- Customization product

Chip			Face Color	VF(V) at IF=20mA	
Material	Emitted Color	$\lambda_d$ (nm)		TYP.	MAX.
AlGaInP	Ultra-Green	572	Optional	2.0	2.3
AlGaInP	Ultra-Yellow	590		2.0	2.3
AlGaInP	Ultra-Orange	623		2.0	2.3
AlGaInP	Ultra-Red	630		2.0	2.3

TOS

# TOS-5166

0.56" Single Digit Display



### Features

- 0.56 inch digit height
- Various color
- IC compatible
- Excellent color uniformity
- Low current operation available
- Design flexibility

### Application

- Medical and industrial equipments
- Cashier machine and billboard
- Consumer and gaming electronics application
- Home appliance display application
- Customization product

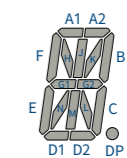
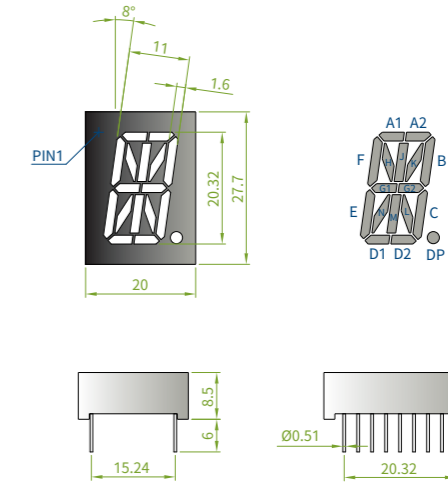
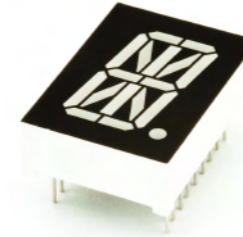


Chip			Face Color	VF(V) at IF=20mA	
Material	Emitted Color	$\lambda_d$ (nm)		TYP.	MAX.
AlGaInP	Ultra-Green	572	Optional	2.0	2.3
AlGaInP	Ultra-Yellow	590		2.0	2.3
AlGaInP	Ultra-Orange	623		2.0	2.3
AlGaInP	Ultra-Red	630		2.0	2.3

TOS

# TOS-8103

0.80" Single Digit Display  
Alphanumeric



### Features

- 0.80 inch digit height
- Various color
- IC compatible
- Excellent color uniformity
- Low current operation available
- Design flexibility

### Application

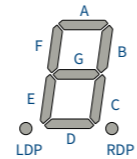
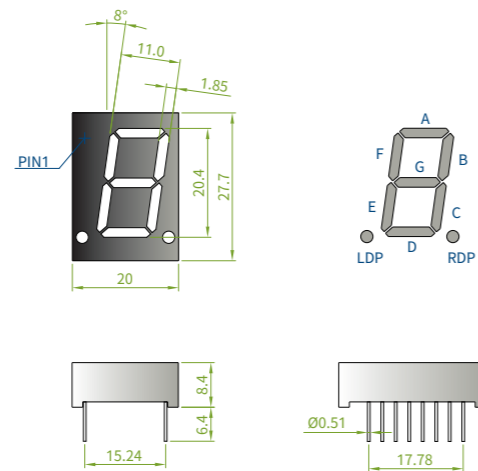
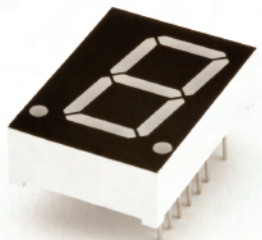
- Medical and industrial equipments
- Cashier machine and billboard
- Consumer and gaming electronics application
- Home appliance display application
- Customization product



Chip			Face Color	VF(V) at IF=20mA	
Material	Emitted Color	$\lambda_d$ (nm)		TYP.	MAX.
AlGaInP	Ultra-Green	572	Optional	2.0	2.3
AlGaInP	Ultra-Yellow	590		2.0	2.3
AlGaInP	Ultra-Orange	623		2.0	2.3
AlGaInP	Ultra-Red	630		2.0	2.3

# TOS-8102

0.80" Single Digit Display



### Features

- 0.80 inch digit height
- Various color
- IC compatible
- Excellent color uniformity
- Low current operation available
- Design flexibility

### Application

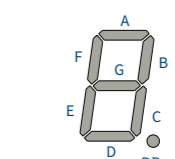
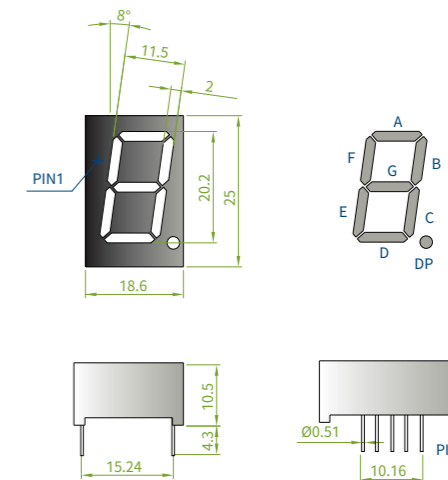
- Medical and industrial equipments
- Cashier machine and billboard
- Consumer and gaming electronics application
- Home appliance display application
- Customization product



Chip			Face Color	VF(V) at IF=20mA	
Material	Emitted Color	$\lambda_d$ (nm)		TYP.	MAX.
AlGaInP	Ultra-Green	572	Optional	2.0	2.3
AlGaInP	Ultra-Yellow	590		2.0	2.3
AlGaInP	Ultra-Orange	623		2.0	2.3
AlGaInP	Ultra-Red	630		2.0	2.3

# TOS-8105

0.80" Single Digit Display



### Features

- 0.80 inch digit height
- Various color
- IC compatible
- Excellent color uniformity
- Low current operation available
- Design flexibility

### Application

- Medical and industrial equipments
- Cashier machine and billboard
- Consumer and gaming electronics application
- Home appliance display application
- Customization product

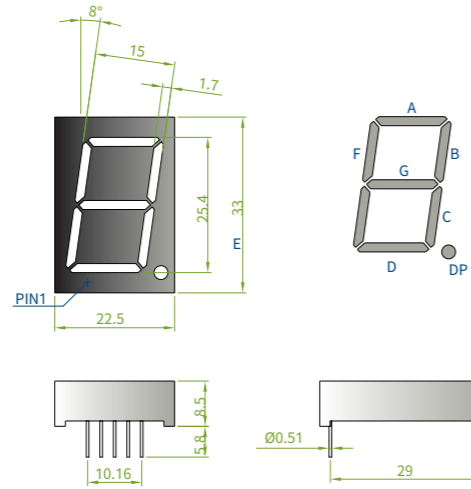
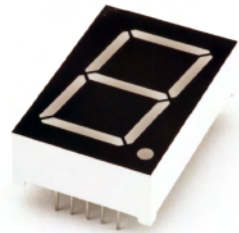


Chip			Face Color	VF(V) at IF=20mA	
Material	Emitted Color	$\lambda_d$ (nm)		TYP.	MAX.
AlGaInP	Ultra-Green	572	Optional	2.0	2.3
AlGaInP	Ultra-Yellow	590		2.0	2.3
AlGaInP	Ultra-Orange	623		2.0	2.3
AlGaInP	Ultra-Red	630		2.0	2.3

TOS

# TOS-1102

1.0" Single Digit Display



**Features**

- 1.0 inch digit height
- Various color
- IC compatible
- Excellent color uniformity
- Low current operation available
- Design flexibility

**Application**

- Medical and industrial equipments
- Cashier machine and billboard
- Consumer and gaming electronics application
- Home appliance display application
- Customization product

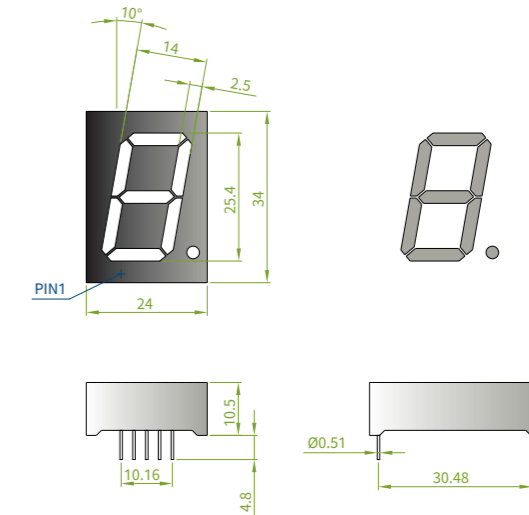
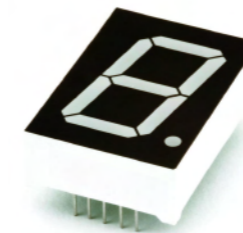


Chip			Face Color	VF(V) at IF=20mA	
Material	Emitted Color	$\lambda_d$ (nm)		TYP.	MAX.
AlGaInP	Ultra-Green	572	Optional	2.0	2.3
AlGaInP	Ultra-Yellow	590		2.0	2.3
AlGaInP	Ultra-Orange	623		2.0	2.3
AlGaInP	Ultra-Red	630		2.0	2.3

TOS

# TOS-1106

1.0" Single Digit Display



**Features**

- 1.0 inch digit height
- Various color
- IC compatible
- Excellent color uniformity
- Low current operation available
- Design flexibility

**Application**

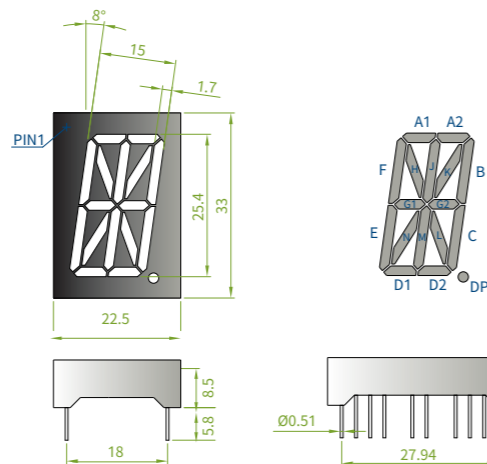
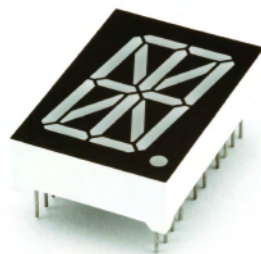
- Medical and industrial equipments
- Cashier machine and billboard
- Consumer and gaming electronics application
- Home appliance display application
- Customization product



Chip			Face Color	VF(V) at IF=20mA	
Material	Emitted Color	$\lambda_d$ (nm)		TYP.	MAX.
AlGaInP	Ultra-Green	572	Optional	2.0	2.3
AlGaInP	Ultra-Yellow	590		2.0	2.3
AlGaInP	Ultra-Orange	623		2.0	2.3
AlGaInP	Ultra-Red	630		2.0	2.3

# TOS-1103

1.0" Single Digit Display  
Alphanumeric



**Features**

- 1.0 inch digit height
- Various color
- IC compatible
- Excellent color uniformity
- Low current operation available
- Design flexibility

**Application**

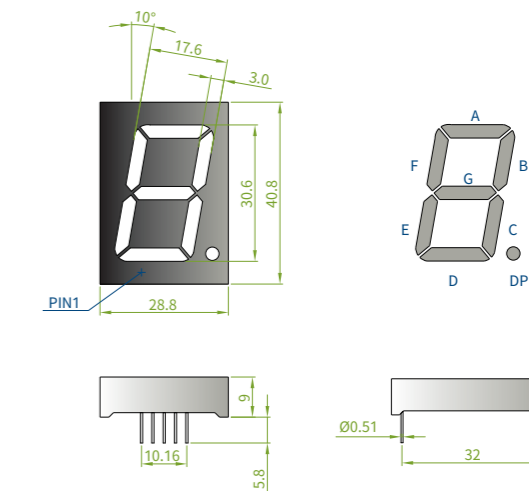
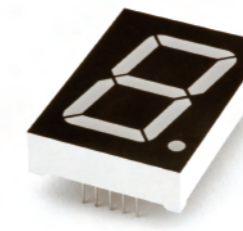
- Medical and industrial equipments
- Cashier machine and billboard
- Consumer and gaming electronics application
- Home appliance display application
- Customization product



Chip			Face Color	VF(V) at IF=20mA	
Material	Emitted Color	$\lambda_d$ (nm)		TYP.	MAX.
AlGaInP	Ultra-Green	572	Optional	2.0	2.3
AlGaInP	Ultra-Yellow	590		2.0	2.3
AlGaInP	Ultra-Orange	623		2.0	2.3
AlGaInP	Ultra-Red	630		2.0	2.3

# TOS-12101

1.2" Single Digit Display



**Features**

- 1.2 inch digit height
- Various color
- IC compatible
- Excellent color uniformity
- Low current operation available
- Design flexibility

**Application**

- Medical and industrial equipments
- Cashier machine and billboard
- Consumer and gaming electronics application
- Home appliance display application
- Customization product

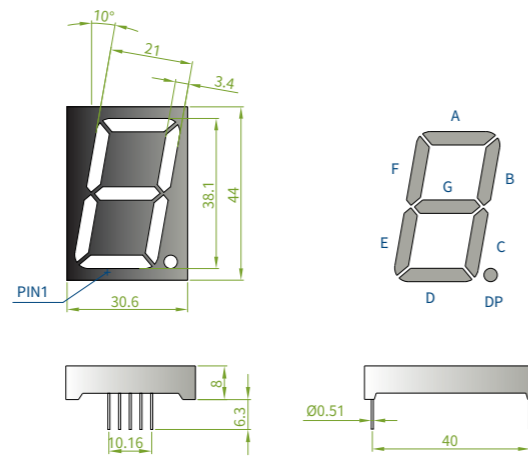
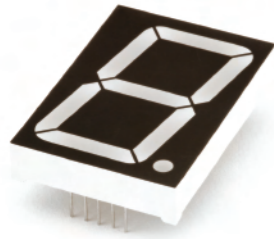


Chip			Face Color	VF(V) at IF=20mA	
Material	Emitted Color	$\lambda_d$ (nm)		TYP.	MAX.
AlGaInP	Ultra-Green	572	Optional	2.0	2.3
AlGaInP	Ultra-Yellow	590		2.0	2.3
AlGaInP	Ultra-Orange	623		2.0	2.3
AlGaInP	Ultra-Red	630		2.0	2.3

TOS

# TOS-15102

1.5" Single Digit Display



**Features**

- 1.5 inch digit height
- Various color
- IC compatible
- Excellent color uniformity
- Low current operation available
- Design flexibility



**Application**

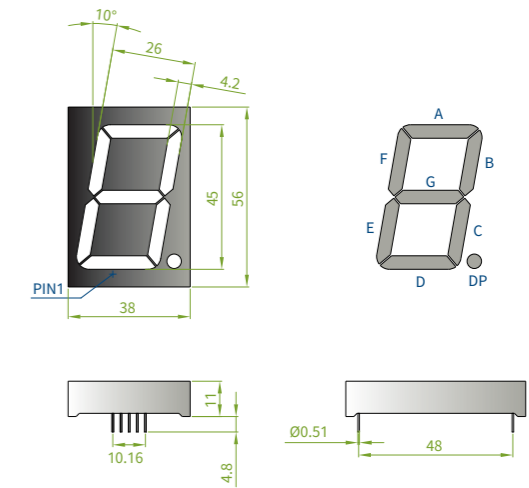
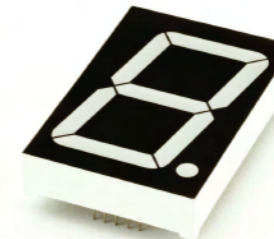
- Medical and industrial equipments
- Cashier machine and billboard
- Consumer and gaming electronics application
- Home appliance display application
- Customization product

Chip			Face Color	VF(V) at IF=20mA	
Material	Emitted Color	$\lambda_d$ (nm)		TYP.	MAX.
AlGaInP	Ultra-Green	572	Optional	2.0	2.3
AlGaInP	Ultra-Yellow	590		2.0	2.3
AlGaInP	Ultra-Orange	623		2.0	2.3
AlGaInP	Ultra-Red	630		2.0	2.3

TOS

# TOS-18102

1.8" Single Digit Display



**Features**

- 1.8 inch digit height
- Various color
- IC compatible
- Excellent color uniformity
- Low current operation available
- Design flexibility



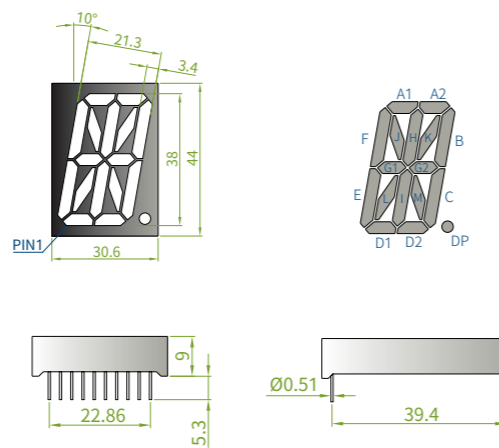
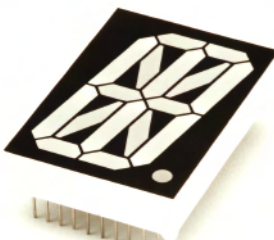
**Application**

- Medical and industrial equipments
- Cashier machine and billboard
- Consumer and gaming electronics application
- Home appliance display application
- Customization product

Chip			Face Color	VF(V) at IF=20mA	
Material	Emitted Color	$\lambda_d$ (nm)		TYP.	MAX.
AlGaInP	Ultra-Green	572	Optional	2.0	2.3
AlGaInP	Ultra-Yellow	590		2.0	2.3
AlGaInP	Ultra-Orange	623		2.0	2.3
AlGaInP	Ultra-Red	630		2.0	2.3

# TOS-15103

1.5" Single Digit Display  
Alphanumeric



**Features**

- 1.5 inch digit height
- Various color
- IC compatible
- Excellent color uniformity
- Low current operation available
- Design flexibility



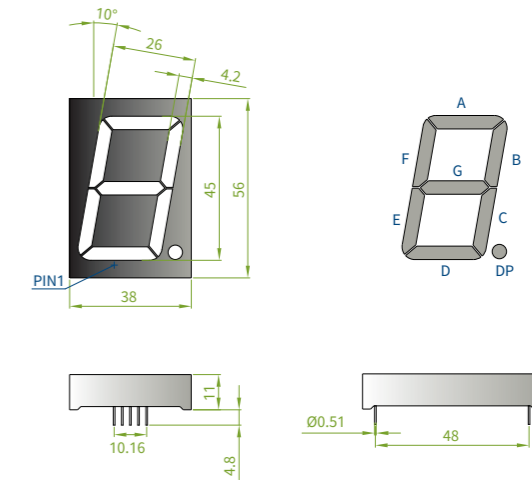
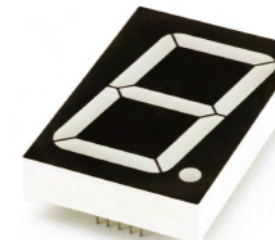
**Application**

- Medical and industrial equipments
- Cashier machine and billboard
- Consumer and gaming electronics application
- Home appliance display application
- Customization product

Chip			Face Color	VF(V) at IF=20mA	
Material	Emitted Color	$\lambda_d$ (nm)		TYP.	MAX.
AlGaInP	Ultra-Green	572	Optional	2.0	2.3
AlGaInP	Ultra-Yellow	590		2.0	2.3
AlGaInP	Ultra-Orange	623		2.0	2.3
AlGaInP	Ultra-Red	630		2.0	2.3

# TOS-18104

1.8" Single Digit Display



**Features**

- 1.8 inch digit height
- Various color
- IC compatible
- Excellent color uniformity
- Low current operation available
- Design flexibility



**Application**

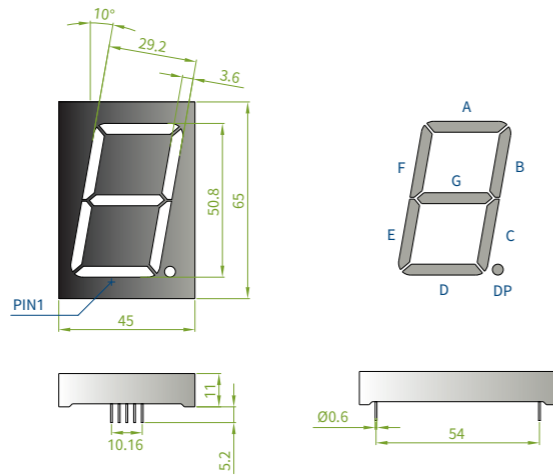
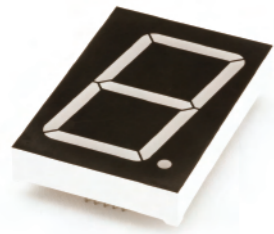
- Medical and industrial equipments
- Cashier machine and billboard
- Consumer and gaming electronics application
- Home appliance display application
- Customization product

Chip			Face Color	VF(V) at IF=20mA	
Material	Emitted Color	$\lambda_d$ (nm)		TYP.	MAX.
AlGaInP	Ultra-Green	572	Optional	2.0	2.3
AlGaInP	Ultra-Yellow	590		2.0	2.3
AlGaInP	Ultra-Orange	623		2.0	2.3
AlGaInP	Ultra-Red	630		2.0	2.3

TOS

# TOS-20101

2.0" Single Digit Display



**Features**

- 2.0 inch digit height
- Various color
- IC compatible
- Excellent color uniformity
- Low current operation available
- Design flexibility



**Application**

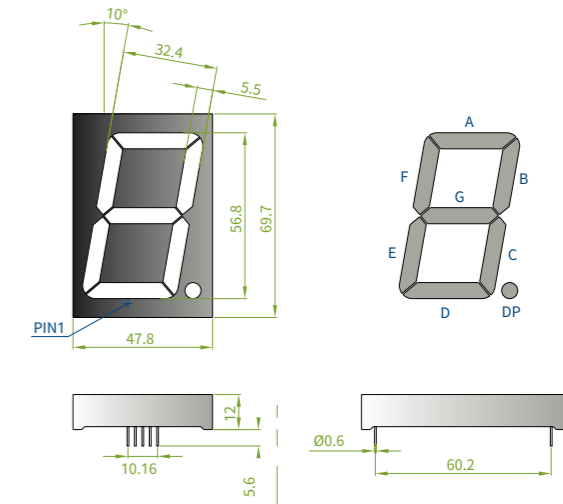
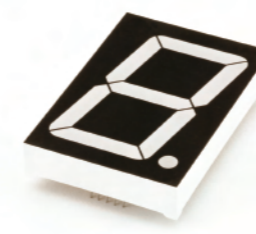
- Medical and Industrial Equipments
- Cashier Machine and billboard
- Consumer and Gaming Electronics application
- Home appliance
- Customization Product

Chip			Face Color	VF(V) at IF=20mA	
Material	Emitted Color	$\lambda_d$ (nm)		TYP.	MAX.
AlGaInP	Ultra-Green	572	Optional	2.0	2.3
AlGaInP	Ultra-Yellow	590		2.0	2.3
AlGaInP	Ultra-Orange	623		2.0	2.3
AlGaInP	Ultra-Red	630		2.0	2.3

TOS

# TOS-23101

2.3" Single Digit Display



**Features**

- 2.3 inch digit height
- Various color
- IC compatible
- Excellent color uniformity
- Low current operation available
- Design flexibility



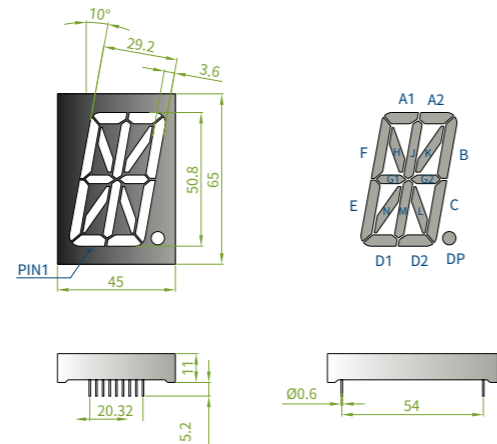
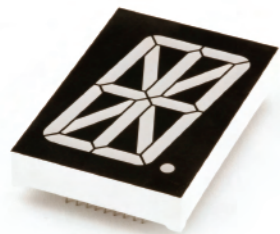
**Application**

- Medical and Industrial Equipments
- Cashier Machine and billboard
- Consumer and Gaming Electronics application
- Home appliance
- Customization Product

Chip			Face Color	VF(V) at IF=20mA	
Material	Emitted Color	$\lambda_d$ (nm)		TYP.	MAX.
AlGaInP	Ultra-Green	572	Optional	2.0	2.3
AlGaInP	Ultra-Yellow	590		2.0	2.3
AlGaInP	Ultra-Orange	623		2.0	2.3
AlGaInP	Ultra-Red	630		2.0	2.3

# TOS-20102

2.0" Single Digit Display  
Alphanumeric



**Features**

- 2.0 inch digit height
- Various color
- IC compatible
- Excellent color uniformity
- Low current operation available
- Design flexibility



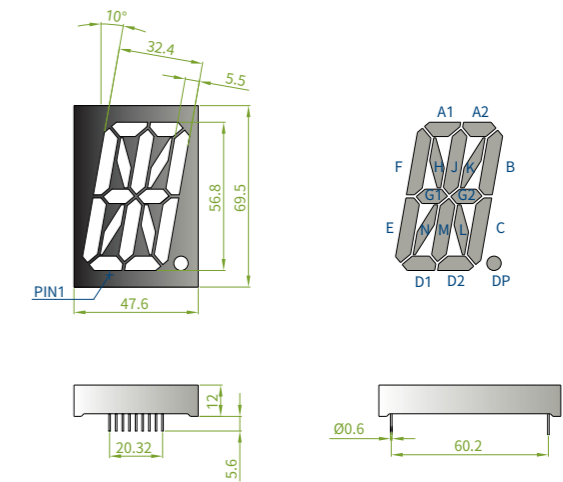
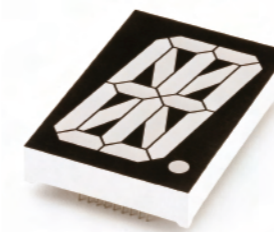
**Application**

- Medical and industrial equipments
- Cashier machine and billboard
- Consumer and gaming electronics application
- Home appliance display application
- Customization product

Chip			Face Color	VF(V) at IF=20mA	
Material	Emitted Color	$\lambda_d$ (nm)		TYP.	MAX.
AlGaInP	Ultra-Green	572	Optional	2.0	2.3
AlGaInP	Ultra-Yellow	590		2.0	2.3
AlGaInP	Ultra-Orange	623		2.0	2.3
AlGaInP	Ultra-Red	630		2.0	2.3

# TOS-23102

2.3" Single Digit Display  
Alphanumeric



**Features**

- 2.3 inch digit height
- Various color
- IC compatible
- Excellent color uniformity
- Low current operation available
- Design flexibility



**Application**

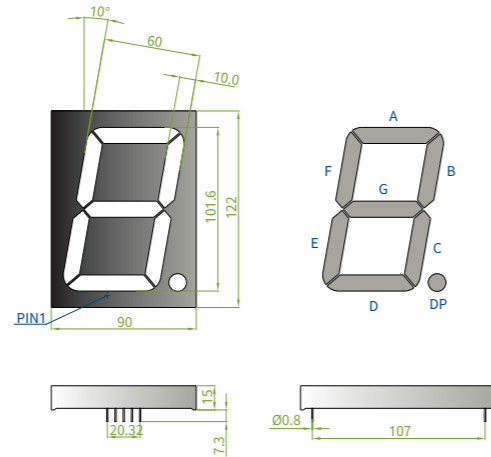
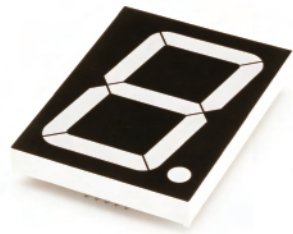
- Medical and Industrial Equipments
- Cashier Machine and billboard
- Consumer and Gaming Electronics application
- Home appliance
- Customization Product

Chip			Face Color	VF(V) at IF=20mA	
Material	Emitted Color	$\lambda_d$ (nm)		TYP.	MAX.
AlGaInP	Ultra-Green	572	Optional	2.0	2.3
AlGaInP	Ultra-Yellow	590		2.0	2.3
AlGaInP	Ultra-Orange	623		2.0	2.3
AlGaInP	Ultra-Red	630		2.0	2.3

TOS

# TOS-40101

4.0" Single Digit Display



- Features**
- 4.0 inch digit height
  - Various color
  - IC compatible
  - Excellent color uniformity
  - Low current operation available
  - Design flexibility



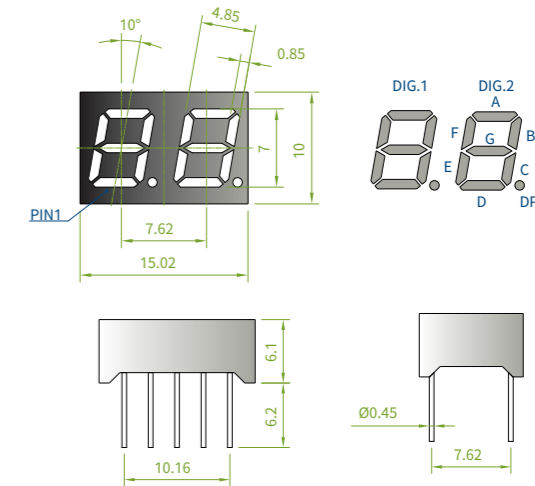
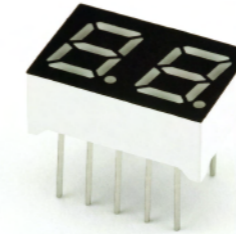
- Application**
- Medical and industrial equipments
  - Cashier machine and billboard
  - Consumer and gaming electronics application
  - Home appliance display application
  - Customization product

Chip			Face Color	VF(V) at IF=20mA	
Material	Emitted Color	$\lambda_d$ (nm)		TYP.	MAX.
AlGaInP	Ultra-Green	572	Optional	2.0	2.3
AlGaInP	Ultra-Yellow	590		2.0	2.3
AlGaInP	Ultra-Orange	623		2.0	2.3
AlGaInP	Ultra-Red	630		2.0	2.3

TOD

# TOD-2281

0.28" Dual Digit Display



- Features**
- 0.28 inch digit height
  - Various color
  - IC compatible
  - Excellent color uniformity
  - Low current operation available
  - Design flexibility

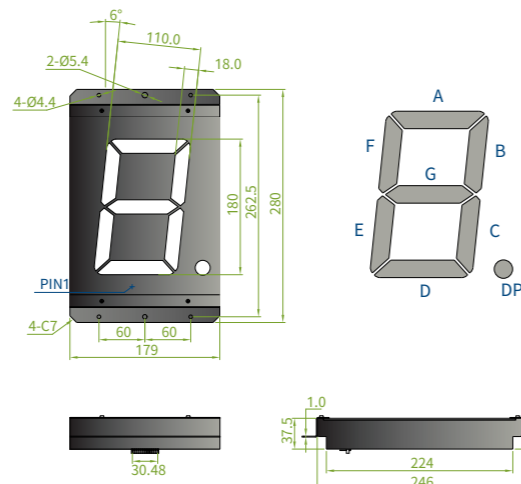
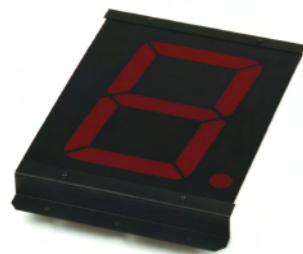


- Application**
- Medical and industrial equipments
  - Cashier machine and billboard
  - Consumer and gaming electronics application
  - Home appliance display application
  - Customization product

Chip			Face Color	VF(V) at IF=20mA	
Material	Emitted Color	$\lambda_d$ (nm)		TYP.	MAX.
AlGaInP	Ultra-Green	572	Optional	2.0	2.3
AlGaInP	Ultra-Yellow	590		2.0	2.3
AlGaInP	Ultra-Orange	623		2.0	2.3
AlGaInP	Ultra-Red	630		2.0	2.3

# TOS-70101

7.0" Single Digit Display



- Features**
- 7.0 inch digit height
  - Various color
  - IC compatible
  - Excellent color uniformity
  - Low current operation available
  - Design flexibility

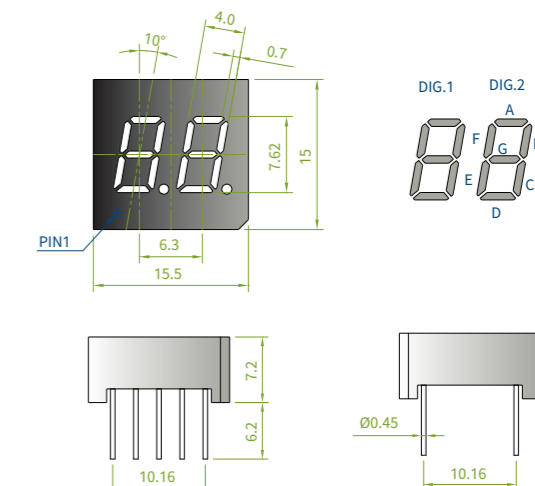
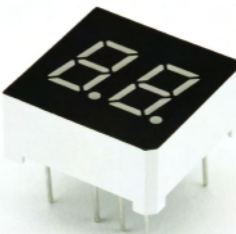


- Application**
- Medical and industrial equipments
  - Cashier machine and billboard
  - Consumer and gaming electronics application
  - Home appliance display application
  - Customization product

Chip			Face Color	VF(V) at IF=20mA	
Material	Emitted Color	$\lambda_d$ (nm)		TYP.	MAX.
AlGaInP	Ultra-Green	572	Optional	2.0	2.3
AlGaInP	Ultra-Yellow	590		2.0	2.3
AlGaInP	Ultra-Orange	623		2.0	2.3
AlGaInP	Ultra-Red	630		2.0	2.3

# TOD-3203

0.30" Dual Digit Display



- Features**
- 0.30 inch digit height
  - Various color
  - IC compatible
  - Excellent color uniformity
  - Low current operation available
  - Design flexibility

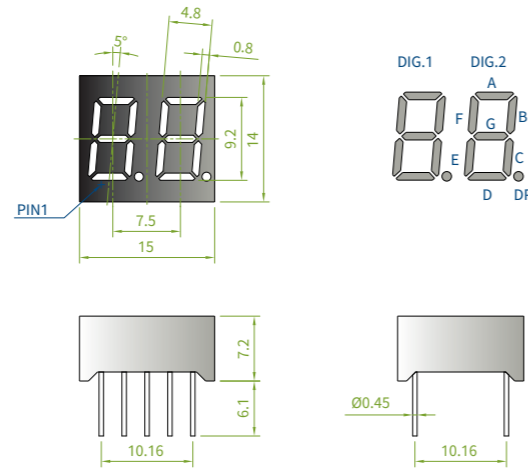
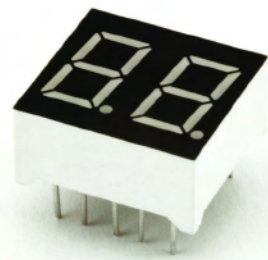


- Application**
- Medical and industrial equipments
  - Cashier machine and billboard
  - Consumer and gaming electronics application
  - Home appliance display application
  - Customization product

Chip			Face Color	VF(V) at IF=20mA	
Material	Emitted Color	$\lambda_d$ (nm)		TYP.	MAX.
AlGaInP	Ultra-Green	572	Optional	2.0	2.3
AlGaInP	Ultra-Yellow	590		2.0	2.3
AlGaInP	Ultra-Orange	623		2.0	2.3
AlGaInP	Ultra-Red	630		2.0	2.3

# TOD-3261

0.36" Dual Digit Display



**Features**

- 0.36 inch digit height
- Various color
- IC compatible
- Excellent color uniformity
- Low current operation available
- Design flexibility



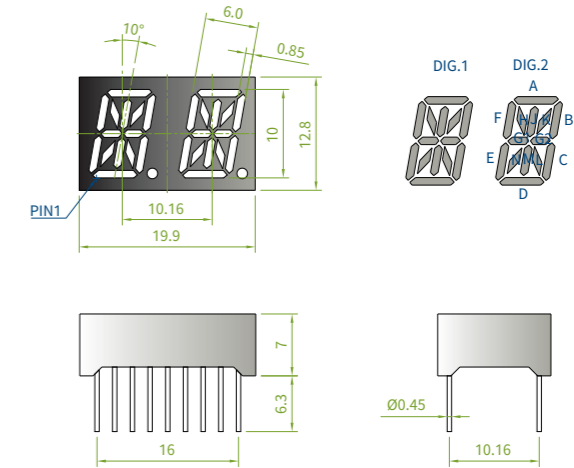
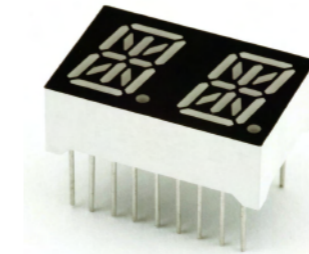
**Application**

- Medical and industrial equipments
- Cashier machine and billboard
- Consumer and gaming electronics application
- Home appliance display application
- Customization product

Chip			Face Color	VF(V) at IF=20mA	
Material	Emitted Color	$\lambda_d$ (nm)		TYP.	MAX.
AlGaInP	Ultra-Green	572	Optional	2.0	2.3
AlGaInP	Ultra-Yellow	590		2.0	2.3
AlGaInP	Ultra-Orange	623		2.0	2.3
AlGaInP	Ultra-Red	630		2.0	2.3

# TOD-3292

0.39" Dual Digit Display  
Alphanumeric



**Features**

- 0.39 inch digit height
- Various color
- IC compatible
- Excellent color uniformity
- Low current operation available
- Design flexibility



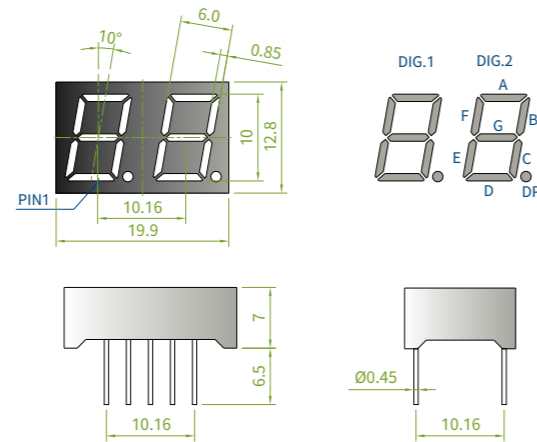
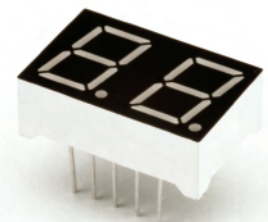
**Application**

- Medical and industrial equipments
- Cashier machine and billboard
- Consumer and gaming electronics application
- Home appliance display application
- Customization product

Chip			Face Color	VF(V) at IF=20mA	
Material	Emitted Color	$\lambda_d$ (nm)		TYP.	MAX.
AlGaInP	Ultra-Green	572	Optional	2.0	2.3
AlGaInP	Ultra-Yellow	590		2.0	2.3
AlGaInP	Ultra-Orange	623		2.0	2.3
AlGaInP	Ultra-Red	630		2.0	2.3

# TOD-3291

0.39" Dual Digit Display



**Features**

- 0.39 inch digit height
- Various color
- IC compatible
- Excellent color uniformity
- Low current operation available
- Design flexibility



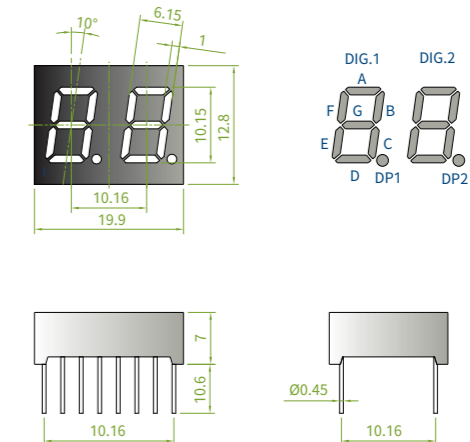
**Application**

- Medical and industrial equipments
- Cashier machine and billboard
- Consumer and gaming electronics application
- Home appliance display application
- Customization product

Chip			Face Color	VF(V) at IF=20mA	
Material	Emitted Color	$\lambda_d$ (nm)		TYP.	MAX.
AlGaInP	Ultra-Green	572	Optional	2.0	2.3
AlGaInP	Ultra-Yellow	590		2.0	2.3
AlGaInP	Ultra-Orange	623		2.0	2.3
AlGaInP	Ultra-Red	630		2.0	2.3

# TOD-3294

0.39" Dual Digit Display



**Features**

- 0.39 inch digit height
- Various color
- IC compatible
- Excellent color uniformity
- Low current operation available
- Design flexibility



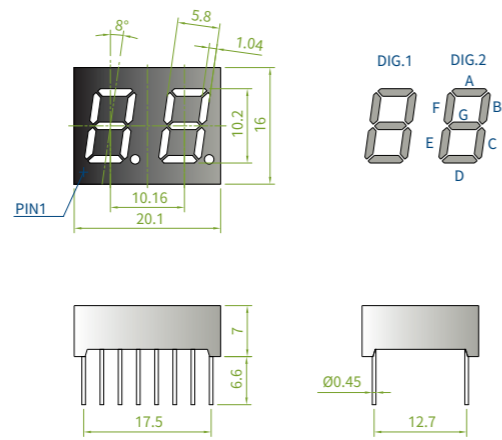
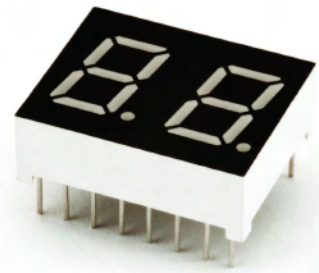
**Application**

- Medical and industrial equipments
- Cashier machine and billboard
- Consumer and gaming electronics application
- Home appliance display application
- Customization product

Chip			Face Color	VF(V) at IF=20mA	
Material	Emitted Color	$\lambda_d$ (nm)		TYP.	MAX.
AlGaInP	Ultra-Green	572	Optional	2.0	2.3
AlGaInP	Ultra-Yellow	590		2.0	2.3
AlGaInP	Ultra-Orange	623		2.0	2.3
AlGaInP	Ultra-Red	630		2.0	2.3

# TOD-4201

0.40" Dual Digit Display



- Features**
- 0.40 inch digit height
  - Various color
  - IC compatible
  - Excellent color uniformity
  - Low current operation available
  - Design flexibility

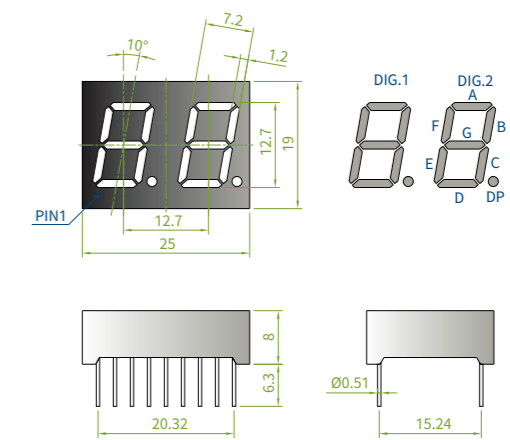
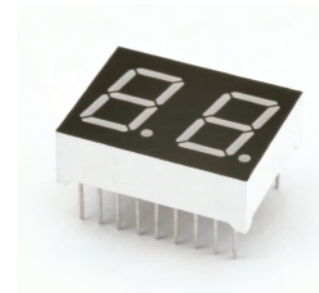


- Application**
- Medical and industrial equipments
  - Cashier machine and billboard
  - Consumer and gaming electronics application
  - Home appliance display application
  - Customization product

Chip			Face Color	VF(V) at IF=20mA	
Material	Emitted Color	$\lambda_d$ (nm)		TYP.	MAX.
AlGaInP	Ultra-Green	572	Optional	2.0	2.3
AlGaInP	Ultra-Yellow	590		2.0	2.3
AlGaInP	Ultra-Orange	623		2.0	2.3
AlGaInP	Ultra-Red	630		2.0	2.3

# TOD-5202

0.50" Dual Digit Display



- Features**
- 0.50 inch digit height
  - Various color
  - IC compatible
  - Excellent color uniformity
  - Low current operation available
  - Design flexibility

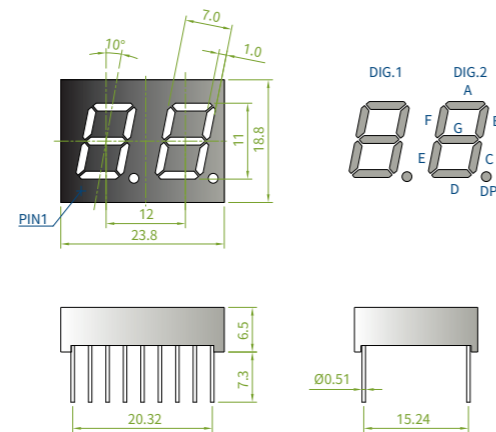
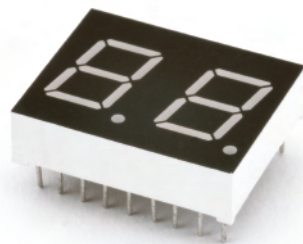


- Application**
- Medical and industrial equipments
  - Cashier machine and billboard
  - Consumer and gaming electronics application
  - Home appliance display application
  - Customization product

Chip			Face Color	VF(V) at IF=20mA	
Material	Emitted Color	$\lambda_d$ (nm)		TYP.	MAX.
AlGaInP	Ultra-Green	572	Optional	2.0	2.3
AlGaInP	Ultra-Yellow	590		2.0	2.3
AlGaInP	Ultra-Orange	623		2.0	2.3
AlGaInP	Ultra-Red	630		2.0	2.3

# TOD-4231

0.43" Dual Digit Display



- Features**
- 0.43 inch digit height
  - Various color
  - IC compatible
  - Excellent color uniformity
  - Low current operation available
  - Design flexibility

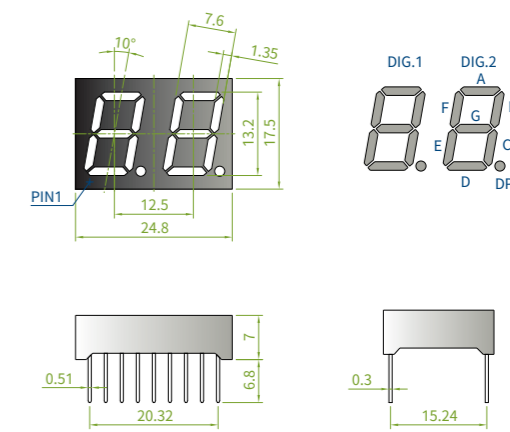


- Application**
- Medical and industrial equipments
  - Cashier machine and billboard
  - Consumer and gaming electronics application
  - Home appliance display application
  - Customization product

Chip			Face Color	VF(V) at IF=20mA	
Material	Emitted Color	$\lambda_d$ (nm)		TYP.	MAX.
AlGaInP	Ultra-Green	572	Optional	2.0	2.3
AlGaInP	Ultra-Yellow	590		2.0	2.3
AlGaInP	Ultra-Orange	623		2.0	2.3
AlGaInP	Ultra-Red	630		2.0	2.3

# TOD-5221

0.52" Dual Digit Display



- Features**
- 0.52 inch digit height
  - Various color
  - IC compatible
  - Excellent color uniformity
  - Low current operation available
  - Design flexibility

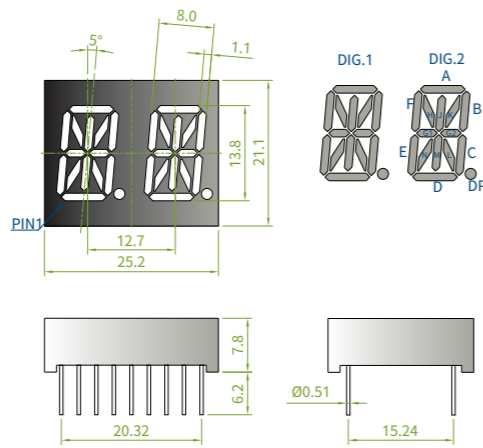
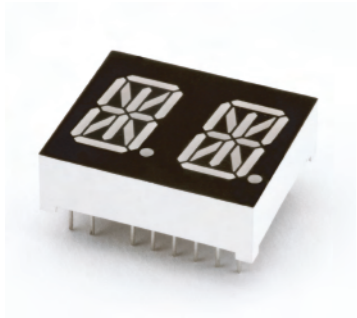


- Application**
- Medical and industrial equipments
  - Cashier machine and billboard
  - Consumer and gaming electronics application
  - Home appliance display application
  - Customization product

Chip			Face Color	VF(V) at IF=20mA	
Material	Emitted Color	$\lambda_d$ (nm)		TYP.	MAX.
AlGaInP	Ultra-Green	572	Optional	2.0	2.3
AlGaInP	Ultra-Yellow	590		2.0	2.3
AlGaInP	Ultra-Orange	623		2.0	2.3
AlGaInP	Ultra-Red	630		2.0	2.3

# TOD-5241

0.54" Dual Digit Display  
Alphanumeric



**Features**

- 0.54 inch digit height
- Various color
- IC compatible
- Excellent color uniformity
- Low current operation available
- Design flexibility



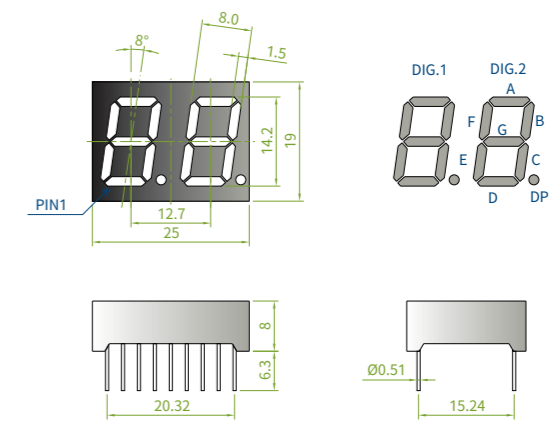
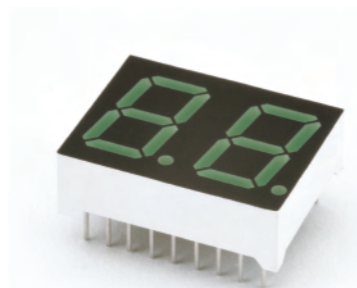
**Application**

- Medical and industrial equipments
- Cashier machine and billboard
- Consumer and gaming electronics application
- Home appliance display application
- Customization product

Chip			Face Color	VF(V) at IF=20mA	
Material	Emitted Color	$\lambda_d$ (nm)		TYP.	MAX.
AlGaInP	Ultra-Green	572	Optional	2.0	2.3
AlGaInP	Ultra-Yellow	590		2.0	2.3
AlGaInP	Ultra-Orange	623		2.0	2.3
AlGaInP	Ultra-Red	630		2.0	2.3

# TOD-5263

0.56" Dual Digit Display



**Features**

- 0.56 inch digit height
- Various color
- IC compatible
- Excellent color uniformity
- Low current operation available
- Design flexibility



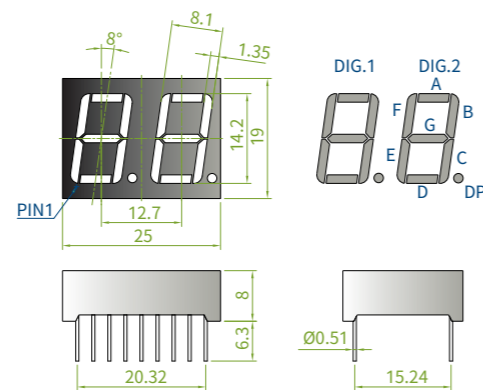
**Application**

- Medical and industrial equipments
- Cashier machine and billboard
- Consumer and gaming electronics application
- Home appliance display application
- Customization product

Chip			Face Color	VF(V) at IF=20mA	
Material	Emitted Color	$\lambda_d$ (nm)		TYP.	MAX.
AlGaInP	Ultra-Green	572	Optional	2.0	2.3
AlGaInP	Ultra-Yellow	590		2.0	2.3
AlGaInP	Ultra-Orange	623		2.0	2.3
AlGaInP	Ultra-Red	630		2.0	2.3

# TOD-5261

0.56" Dual Digit Display



**Features**

- 0.56 inch digit height
- Various color
- IC compatible
- Excellent color uniformity
- Low current operation available
- Design flexibility



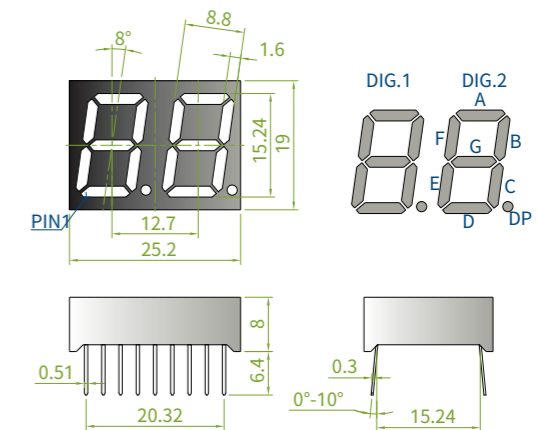
**Application**

- Medical and industrial equipments
- Cashier machine and billboard
- Consumer and gaming electronics application
- Home appliance display application
- Customization product

Chip			Face Color	VF(V) at IF=20mA	
Material	Emitted Color	$\lambda_d$ (nm)		TYP.	MAX.
AlGaInP	Ultra-Green	572	Optional	2.0	2.3
AlGaInP	Ultra-Yellow	590		2.0	2.3
AlGaInP	Ultra-Orange	623		2.0	2.3
AlGaInP	Ultra-Red	630		2.0	2.3

# TOD-6201

0.60" Dual Digit Display



**Features**

- 0.60 inch digit height
- Various color
- IC compatible
- Excellent color uniformity
- Low current operation available
- Design flexibility



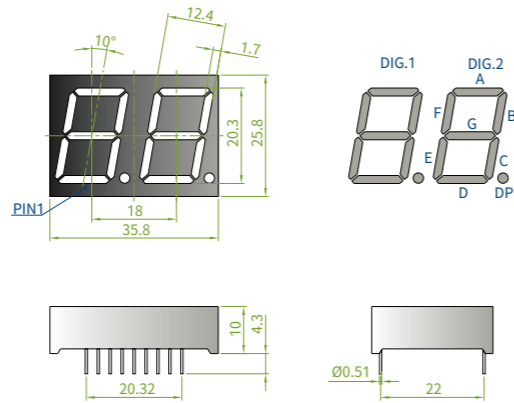
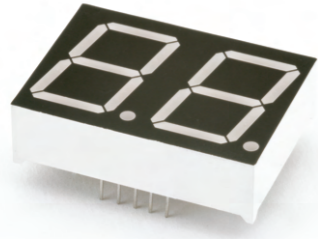
**Application**

- Medical and industrial equipments
- Cashier machine and billboard
- Consumer and gaming electronics application
- Home appliance display application
- Customization product

Chip			Face Color	VF(V) at IF=20mA	
Material	Emitted Color	$\lambda_d$ (nm)		TYP.	MAX.
AlGaInP	Ultra-Green	572	Optional	2.0	2.3
AlGaInP	Ultra-Yellow	590		2.0	2.3
AlGaInP	Ultra-Orange	623		2.0	2.3
AlGaInP	Ultra-Red	630		2.0	2.3

# TOD-8201

0.80" Dual Digit Display



**Features**

- 0.80 inch digit height
- Various color
- IC compatible
- Excellent color uniformity
- Low current operation available
- Design flexibility



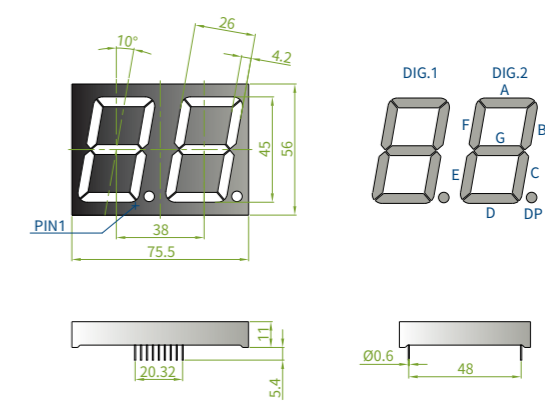
**Application**

- Medical and industrial equipments
- Cashier machine and billboard
- Consumer and gaming electronics application
- Home appliance display application
- Customization product

Chip			Face Color	VF(V) at IF=20mA	
Material	Emitted Color	$\lambda_d$ (nm)		TYP.	MAX.
AlGaInP	Ultra-Green	572	Optional	2.0	2.3
AlGaInP	Ultra-Yellow	590		2.0	2.3
AlGaInP	Ultra-Orange	623		2.0	2.3
AlGaInP	Ultra-Red	630		2.0	2.3

# TOD-18201

1.80" Dual Digit Display



**Features**

- 1.80 inch digit height
- Various color
- IC compatible
- Excellent color uniformity
- Low current operation available
- Design flexibility



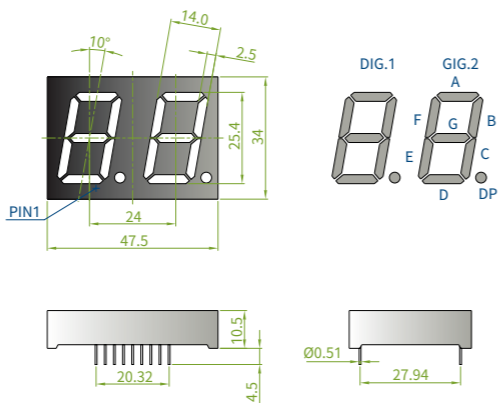
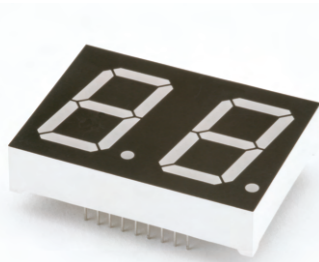
**Application**

- Medical and industrial equipments
- Cashier machine and billboard
- Consumer and gaming electronics application
- Home appliance display application
- Customization product

Chip			Face Color	VF(V) at IF=20mA	
Material	Emitted Color	$\lambda_d$ (nm)		TYP.	MAX.
AlGaInP	Ultra-Green	572	Optional	2.0	2.3
AlGaInP	Ultra-Yellow	590		2.0	2.3
AlGaInP	Ultra-Orange	623		2.0	2.3
AlGaInP	Ultra-Red	630		2.0	2.3

# TOD-10201

1.00" Dual Digit Display



**Features**

- 1.0 inch digit height
- Various color
- IC compatible
- Excellent color uniformity
- Low current operation available
- Design flexibility



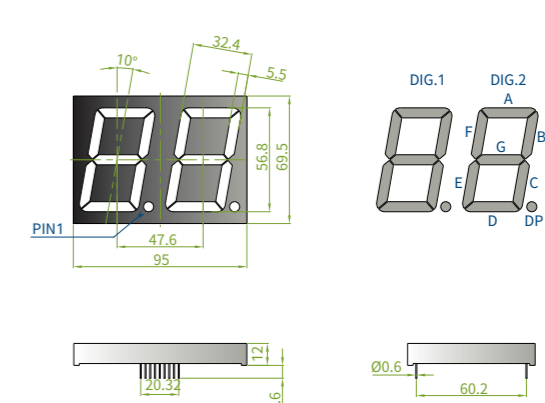
**Application**

- Medical and industrial equipments
- Cashier machine and billboard
- Consumer and gaming electronics application
- Home appliance display application
- Customization product

Chip			Face Color	VF(V) at IF=20mA	
Material	Emitted Color	$\lambda_d$ (nm)		TYP.	MAX.
AlGaInP	Ultra-Green	572	Optional	2.0	2.3
AlGaInP	Ultra-Yellow	590		2.0	2.3
AlGaInP	Ultra-Orange	623		2.0	2.3
AlGaInP	Ultra-Red	630		2.0	2.3

# TOD-23201

2.30" Dual Digit Display



**Features**

- 2.3 inch digit height
- Various color
- IC compatible
- Excellent color uniformity
- Low current operation available
- Design flexibility



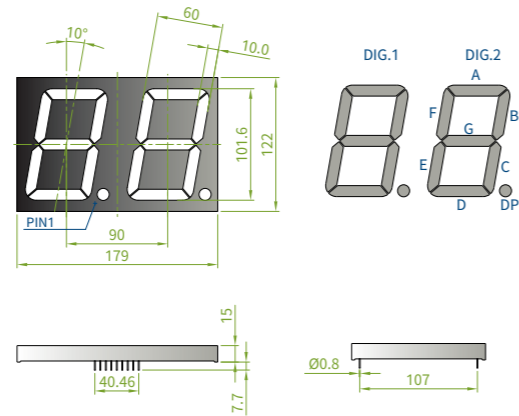
**Application**

- Medical and industrial equipments
- Cashier machine and billboard
- Consumer and gaming electronics application
- Home appliance display application
- Customization product

Chip			Face Color	VF(V) at IF=20mA	
Material	Emitted Color	$\lambda_d$ (nm)		TYP.	MAX.
AlGaInP	Ultra-Green	572	Optional	2.0	2.3
AlGaInP	Ultra-Yellow	590		2.0	2.3
AlGaInP	Ultra-Orange	623		2.0	2.3
AlGaInP	Ultra-Red	630		2.0	2.3

## TOD-40201

4.00" Dual Digit Display



### Features

- 4.00 inch digit height
- Various color
- IC compatible
- Excellent color uniformity
- Low current operation available
- Design flexibility



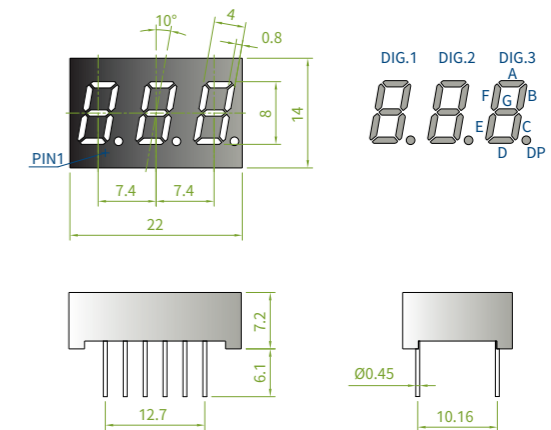
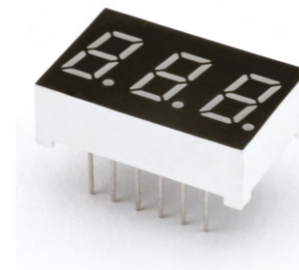
### Application

- Medical and industrial equipments
- Cashier machine and billboard
- Consumer and gaming electronics application
- Home appliance display application
- Customization product

Chip			Face Color	VF(V) at IF=20mA	
Material	Emitted Color	$\lambda_d$ (nm)		TYP.	MAX.
AlGaInP	Ultra-Green	572	Optional	2.0	2.3
AlGaInP	Ultra-Yellow	590		2.0	2.3
AlGaInP	Ultra-Orange	623		2.0	2.3
AlGaInP	Ultra-Red	630		2.0	2.3

## TOT-3301

0.30" Triple Digit Display



### Features

- 0.30 inch digit height
- Various color
- IC compatible
- Excellent color uniformity
- Low current operation available
- Design flexibility



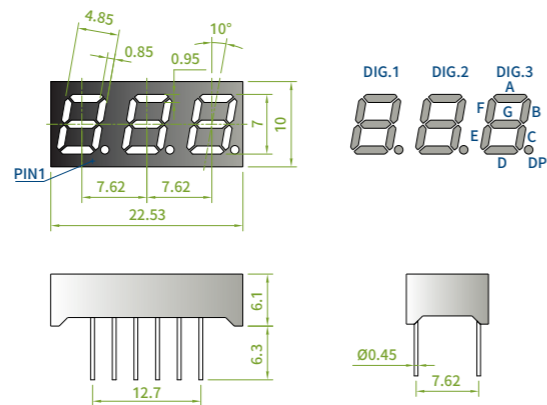
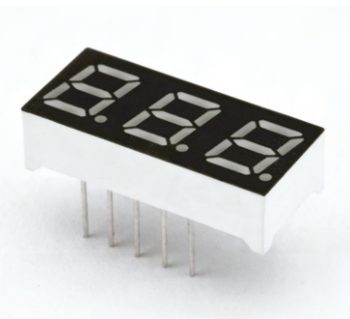
### Application

- Medical and industrial equipments
- Cashier machine and billboard
- Consumer and gaming electronics application
- Home appliance display application
- Customization product

Chip			Face Color	VF(V) at IF=20mA	
Material	Emitted Color	$\lambda_d$ (nm)		TYP.	MAX.
AlGaInP	Ultra-Green	572	Optional	2.0	2.3
AlGaInP	Ultra-Yellow	590		2.0	2.3
AlGaInP	Ultra-Orange	623		2.0	2.3
AlGaInP	Ultra-Red	630		2.0	2.3

## TOT-2381

0.28" Triple Digit Display



### Features

- 0.28 inch digit height
- Various color
- IC compatible
- Excellent color uniformity
- Low current operation available
- Design flexibility



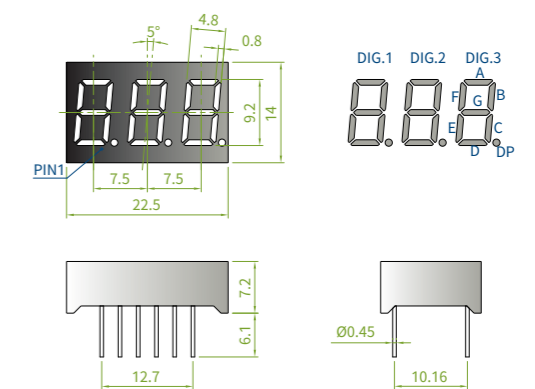
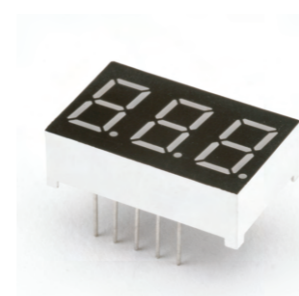
### Application

- Medical and industrial equipments
- Cashier machine and billboard
- Consumer and gaming electronics application
- Home appliance display application
- Customization product

Chip			Face Color	VF(V) at IF=20mA	
Material	Emitted Color	$\lambda_d$ (nm)		TYP.	MAX.
AlGaInP	Ultra-Green	572	Optional	2.0	2.3
AlGaInP	Ultra-Yellow	590		2.0	2.3
AlGaInP	Ultra-Orange	623		2.0	2.3
AlGaInP	Ultra-Red	630		2.0	2.3

## TOT-3361

0.36" Triple Digit Display



### Features

- 0.36 inch digit height
- Various color
- IC compatible
- Excellent color uniformity
- Low current operation available
- Design flexibility



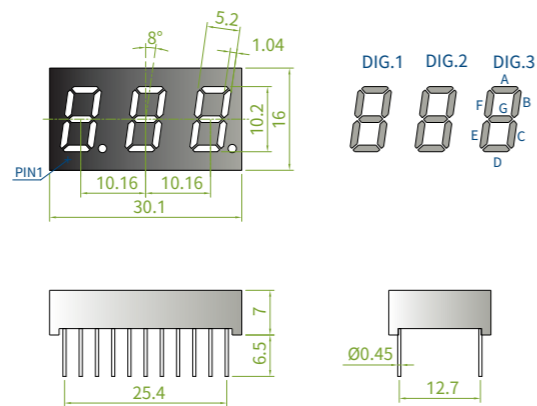
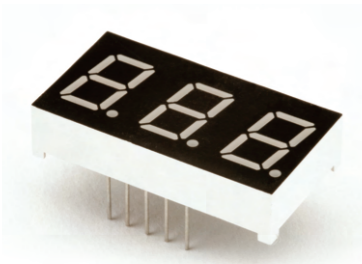
### Application

- Medical and industrial equipments
- Cashier machine and billboard
- Consumer and gaming electronics application
- Home appliance display application
- Customization product

Chip			Face Color	VF(V) at IF=20mA	
Material	Emitted Color	$\lambda_d$ (nm)		TYP.	MAX.
AlGaInP	Ultra-Green	572	Optional	2.0	2.3
AlGaInP	Ultra-Yellow	590		2.0	2.3
AlGaInP	Ultra-Orange	623		2.0	2.3
AlGaInP	Ultra-Red	630		2.0	2.3

## TOT-4301

0.40" Triple Digit Display



### Features

- 0.40 inch digit height
- Various color
- IC compatible
- Excellent color uniformity
- Low current operation available
- Design flexibility



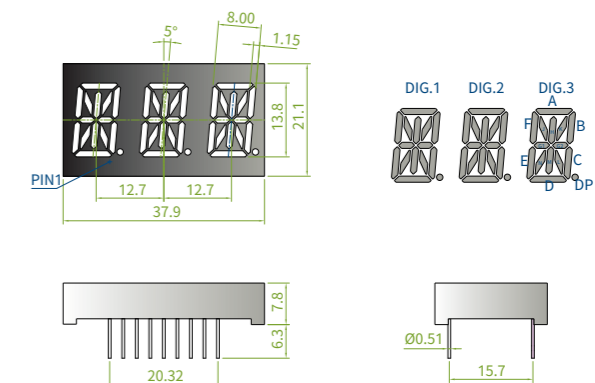
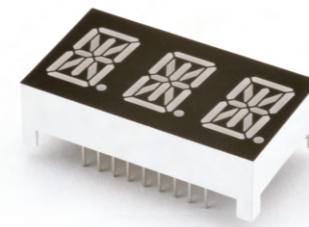
### Application

- Medical and industrial equipments
- Cashier machine and billboard
- Consumer and gaming electronics application
- Home appliance display application
- Customization product

Chip			Face Color	VF(V) at IF=20mA	
Material	Emitted Color	$\lambda_d$ (nm)		TYP.	MAX.
AlGaInP	Ultra-Green	572	Optional	2.0	2.3
AlGaInP	Ultra-Yellow	590		2.0	2.3
AlGaInP	Ultra-Orange	623		2.0	2.3
AlGaInP	Ultra-Red	630		2.0	2.3

## TOT-5341

0.54" Triple Digit Display  
Alphanumeric



### Features

- 0.54 inch digit height
- Various color
- IC compatible
- Excellent color uniformity
- Low current operation available
- Design flexibility



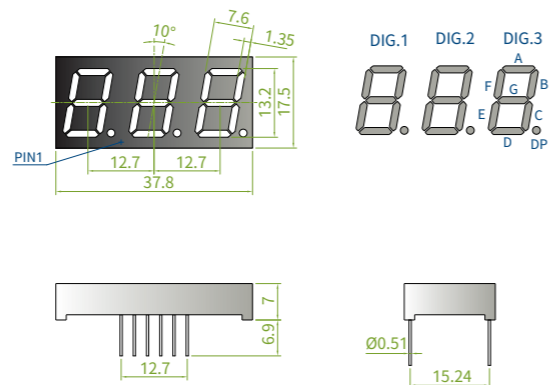
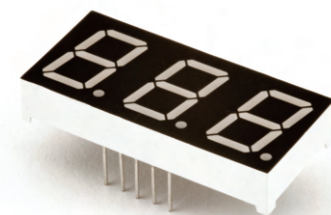
### Application

- Medical and industrial equipments
- Cashier machine and billboard
- Consumer and gaming electronics application
- Home appliance display application
- Customization product

Chip			Face Color	VF(V) at IF=20mA	
Material	Emitted Color	$\lambda_d$ (nm)		TYP.	MAX.
AlGaInP	Ultra-Green	572	Optional	2.0	2.3
AlGaInP	Ultra-Yellow	590		2.0	2.3
AlGaInP	Ultra-Orange	623		2.0	2.3
AlGaInP	Ultra-Red	630		2.0	2.3

## TOT-5321

0.52" Triple Digit Display



### Features

- 0.52 inch digit height
- Various color
- IC compatible
- Excellent color uniformity
- Low current operation available
- Design flexibility



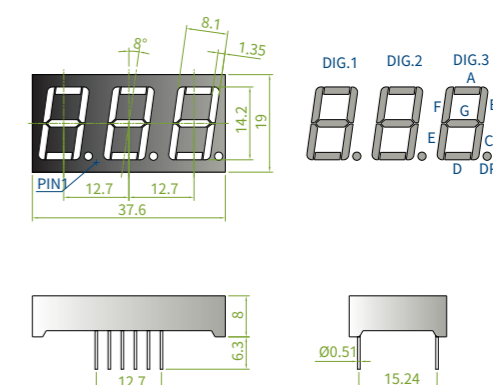
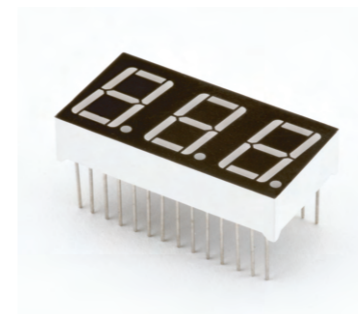
### Application

- Medical and industrial equipments
- Cashier machine and billboard
- Consumer and gaming electronics application
- Home appliance display application
- Customization product

Chip			Face Color	VF(V) at IF=20mA	
Material	Emitted Color	$\lambda_d$ (nm)		TYP.	MAX.
AlGaInP	Ultra-Green	572	Optional	2.0	2.3
AlGaInP	Ultra-Yellow	590		2.0	2.3
AlGaInP	Ultra-Orange	623		2.0	2.3
AlGaInP	Ultra-Red	630		2.0	2.3

## TOT-5361

0.56" Triple Digit Display



### Features

- 0.56 inch digit height
- Various color
- IC compatible
- Excellent color uniformity
- Low current operation available
- Design flexibility



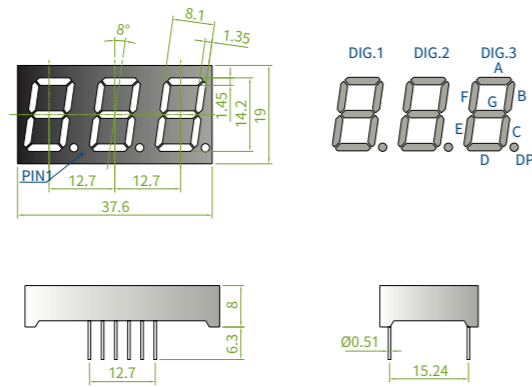
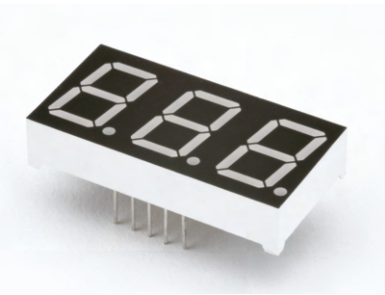
### Application

- Medical and industrial equipments
- Cashier machine and billboard
- Consumer and gaming electronics application
- Home appliance display application
- Customization product

Chip			Face Color	VF(V) at IF=20mA	
Material	Emitted Color	$\lambda_d$ (nm)		TYP.	MAX.
AlGaInP	Ultra-Green	572	Optional	2.0	2.3
AlGaInP	Ultra-Yellow	590		2.0	2.3
AlGaInP	Ultra-Orange	623		2.0	2.3
AlGaInP	Ultra-Red	630		2.0	2.3

# TOT-5363

0.56" Triple Digit Display



**Features**

- 0.56 inch digit height
- Various color
- IC compatible
- Excellent color uniformity
- Low current operation available
- Design flexibility



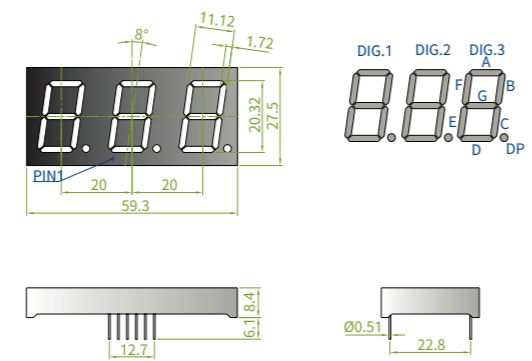
**Application**

- Medical and industrial equipments
- Cashier machine and billboard
- Consumer and gaming electronics application
- Home appliance display application
- Customization product

Chip			Face Color	VF(V) at IF=20mA	
Material	Emitted Color	$\lambda_d$ (nm)		TYP.	MAX.
AlGaInP	Ultra-Green	572	Optional	2.0	2.3
AlGaInP	Ultra-Yellow	590		2.0	2.3
AlGaInP	Ultra-Orange	623		2.0	2.3
AlGaInP	Ultra-Red	630		2.0	2.3

# TOT-8302

0.80" Triple Digit Display



**Features**

- 0.80 inch digit height
- Various color
- IC compatible
- Excellent color uniformity
- Low current operation available
- Design flexibility



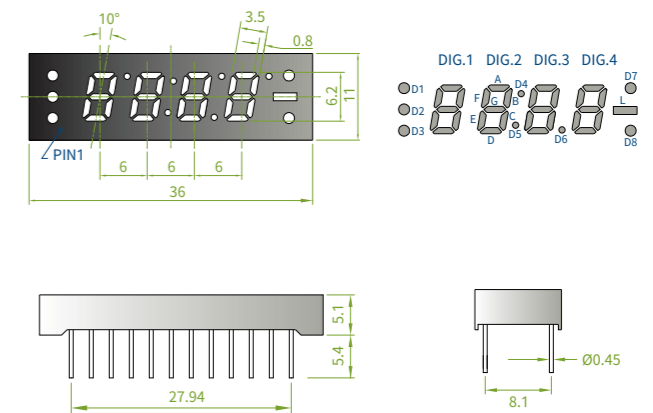
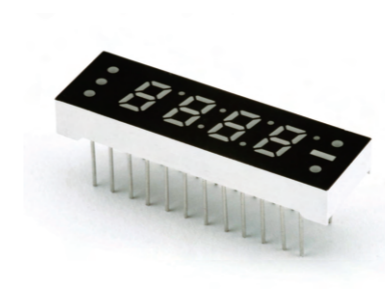
**Application**

- Medical and industrial equipments
- Cashier machine and billboard
- Consumer and gaming electronics application
- Home appliance display application
- Customization product

Chip			Face Color	VF(V) at IF=20mA	
Material	Emitted Color	$\lambda_d$ (nm)		TYP.	MAX.
AlGaInP	Ultra-Green	572	Optional	2.0	2.3
AlGaInP	Ultra-Yellow	590		2.0	2.3
AlGaInP	Ultra-Orange	623		2.0	2.3
AlGaInP	Ultra-Red	630		2.0	2.3

# TOF-2451

0.25" Four Digit Display



**Features**

- 0.25 inch digit height
- Various color
- IC compatible
- Excellent color uniformity
- Low current operation available
- Design flexibility



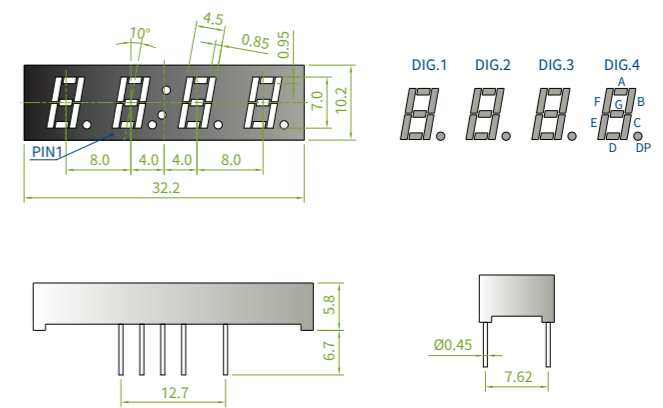
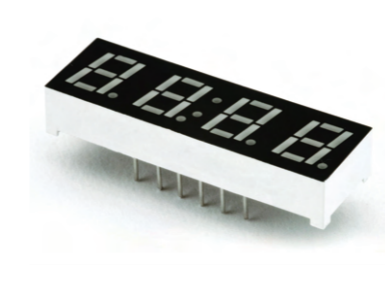
**Application**

- Medical and industrial equipments
- Cashier machine and billboard
- Consumer and gaming electronics application
- Home appliance display application
- Customization product

Chip			Face Color	VF(V) at IF=20mA	
Material	Emitted Color	$\lambda_d$ (nm)		TYP.	MAX.
AlGaInP	Ultra-Green	572	Optional	2.0	2.3
AlGaInP	Ultra-Yellow	590		2.0	2.3
AlGaInP	Ultra-Orange	623		2.0	2.3
AlGaInP	Ultra-Red	630		2.0	2.3

# TOF-2481

0.28" Triple Digit Display



**Features**

- 0.28 inch digit height
- Various color
- IC compatible
- Excellent color uniformity
- Low current operation available
- Design flexibility



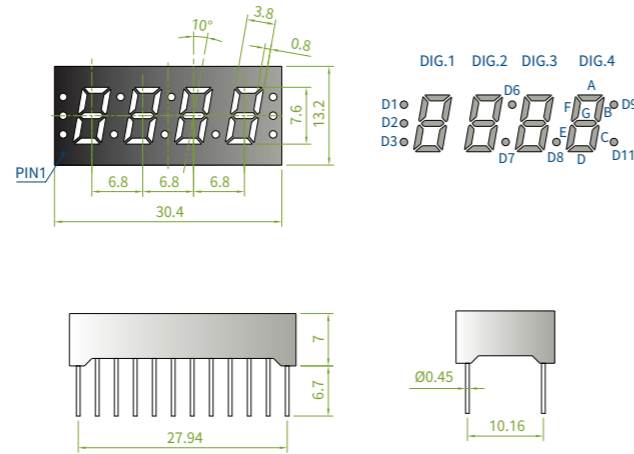
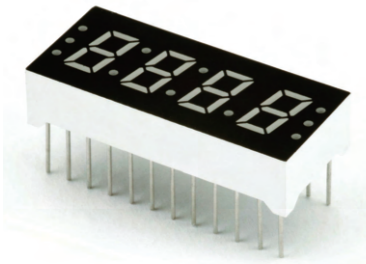
**Application**

- Medical and industrial equipments
- Cashier machine and billboard
- Consumer and gaming electronics application
- Home appliance display application
- Customization product

Chip			Face Color	VF(V) at IF=20mA	
Material	Emitted Color	$\lambda_d$ (nm)		TYP.	MAX.
AlGaInP	Ultra-Green	572	Optional	2.0	2.3
AlGaInP	Ultra-Yellow	590		2.0	2.3
AlGaInP	Ultra-Orange	623		2.0	2.3
AlGaInP	Ultra-Red	630		2.0	2.3

## TOF-3407

0.30" Four Digit Display



### Features

- 0.30 inch digit height
- Various color
- IC compatible
- Excellent color uniformity
- Low current operation available
- Design flexibility



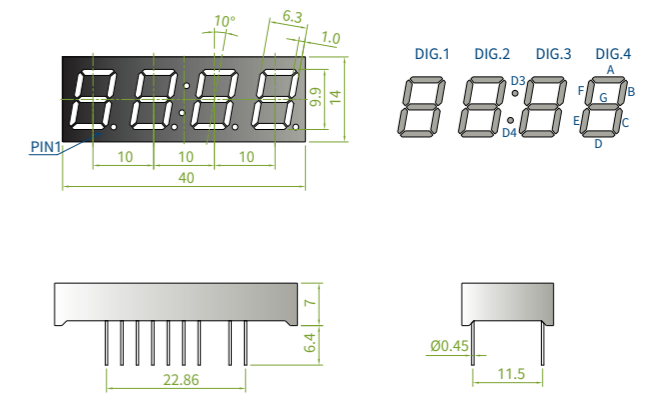
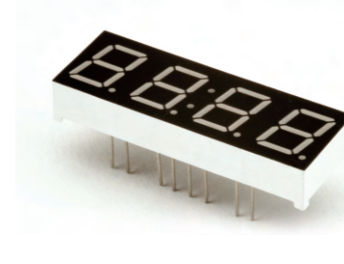
### Application

- Medical and industrial equipments
- Cashier machine and billboard
- Consumer and gaming electronics application
- Home appliance display application
- Customization product

Chip			Face Color	VF(V) at IF=20mA	
Material	Emitted Color	$\lambda_d$ (nm)		TYP.	MAX.
AlGaInP	Ultra-Green	572	Optional	2.0	2.3
AlGaInP	Ultra-Yellow	590		2.0	2.3
AlGaInP	Ultra-Orange	623		2.0	2.3
AlGaInP	Ultra-Red	630		2.0	2.3

## TOF-3491

0.39" Four Digit Display



### Features

- 0.39 inch digit height
- Various color
- IC compatible
- Excellent color uniformity
- Low current operation available
- Design flexibility



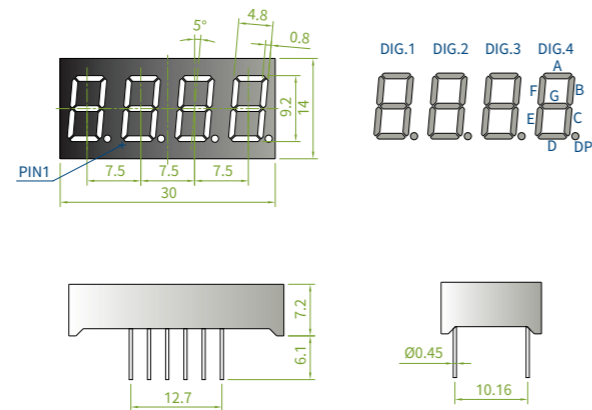
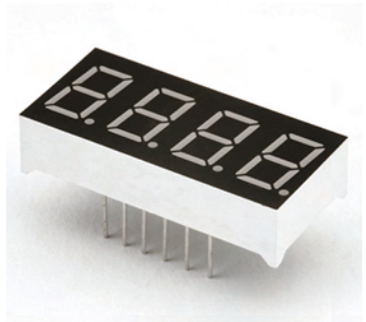
### Application

- Medical and industrial equipments
- Cashier machine and billboard
- Consumer and gaming electronics application
- Home appliance display application
- Customization product

Chip			Face Color	VF(V) at IF=20mA	
Material	Emitted Color	$\lambda_d$ (nm)		TYP.	MAX.
AlGaInP	Ultra-Green	572	Optional	2.0	2.3
AlGaInP	Ultra-Yellow	590		2.0	2.3
AlGaInP	Ultra-Orange	623		2.0	2.3
AlGaInP	Ultra-Red	630		2.0	2.3

## TOF-3461

0.36" Four Digit Display



### Features

- 0.36 inch digit height
- Various color
- IC compatible
- Excellent color uniformity
- Low current operation available
- Design flexibility



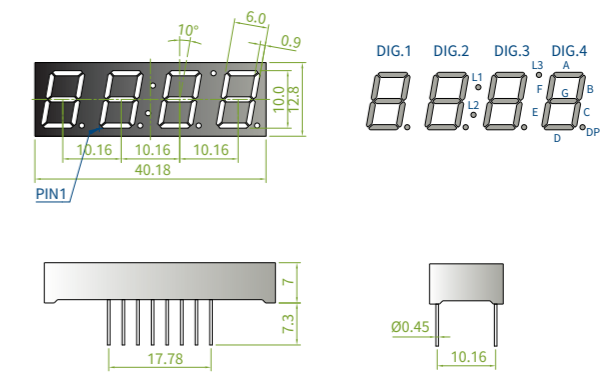
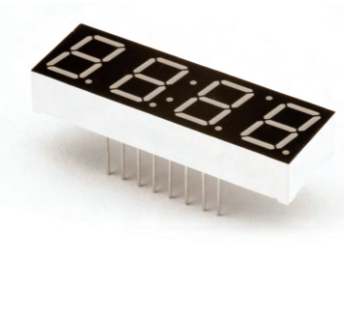
### Application

- Medical and industrial equipments
- Cashier machine and billboard
- Consumer and gaming electronics application
- Home appliance display application
- Customization product

Chip			Face Color	VF(V) at IF=20mA	
Material	Emitted Color	$\lambda_d$ (nm)		TYP.	MAX.
AlGaInP	Ultra-Green	572	Optional	2.0	2.3
AlGaInP	Ultra-Yellow	590		2.0	2.3
AlGaInP	Ultra-Orange	623		2.0	2.3
AlGaInP	Ultra-Red	630		2.0	2.3

## TOF-3492

0.39" Four Digit Display



### Features

- 0.39 inch digit height
- Various color
- IC compatible
- Excellent color uniformity
- Low current operation available
- Design flexibility



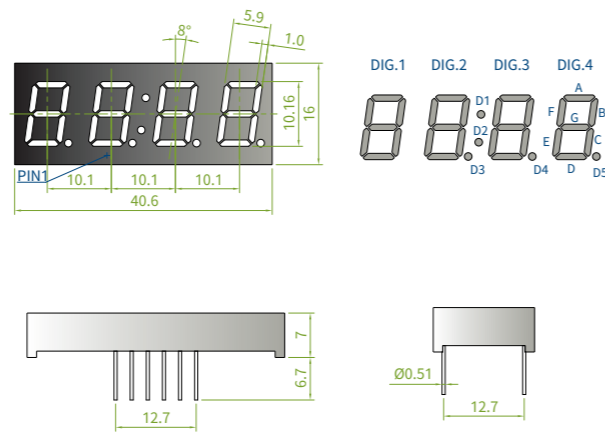
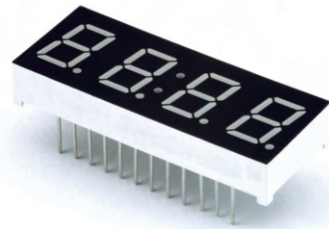
### Application

- Medical and industrial equipments
- Cashier machine and billboard
- Consumer and gaming electronics application
- Home appliance display application
- Customization product

Chip			Face Color	VF(V) at IF=20mA	
Material	Emitted Color	$\lambda_d$ (nm)		TYP.	MAX.
AlGaInP	Ultra-Green	572	Optional	2.0	2.3
AlGaInP	Ultra-Yellow	590		2.0	2.3
AlGaInP	Ultra-Orange	623		2.0	2.3
AlGaInP	Ultra-Red	630		2.0	2.3

## TOF-4403

0.40" Four Digit Display



### Features

- 0.40 inch digit height
- Various color
- IC compatible
- Excellent color uniformity
- Low current operation available
- Design flexibility



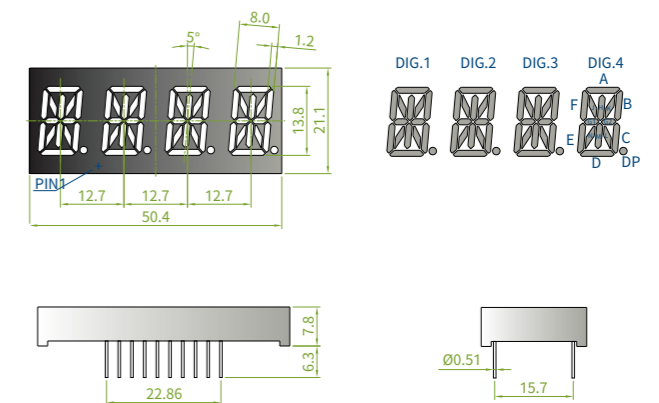
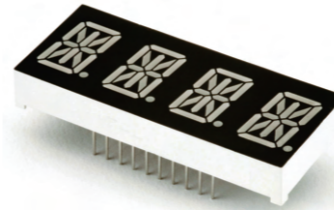
### Application

- Medical and industrial equipments
- Cashier machine and billboard
- Consumer and gaming electronics application
- Home appliance display application
- Customization product

Chip			Face Color	VF(V) at IF=20mA	
Material	Emitted Color	$\lambda_d$ (nm)		TYP.	MAX.
AlGaInP	Ultra-Green	572	Optional	2.0	2.3
AlGaInP	Ultra-Yellow	590		2.0	2.3
AlGaInP	Ultra-Orange	623		2.0	2.3
AlGaInP	Ultra-Red	630		2.0	2.3

## TOF-5441

0.54" Four Digit Display  
Alphanumeric



### Features

- 0.54 inch digit height
- Various color
- IC compatible
- Excellent color uniformity
- Low current operation available
- Design flexibility



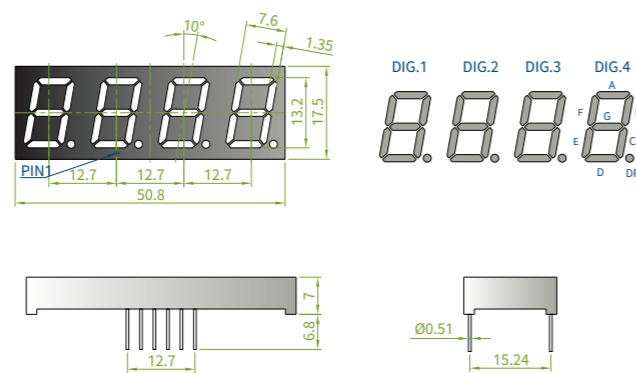
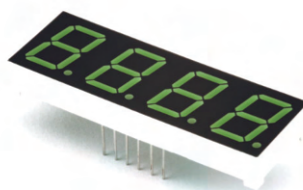
### Application

- Medical and industrial equipments
- Cashier machine and billboard
- Consumer and gaming electronics application
- Home appliance display application
- Customization product

Chip			Face Color	VF(V) at IF=20mA	
Material	Emitted Color	$\lambda_d$ (nm)		TYP.	MAX.
AlGaInP	Ultra-Green	572	Optional	2.0	2.3
AlGaInP	Ultra-Yellow	590		2.0	2.3
AlGaInP	Ultra-Orange	623		2.0	2.3
AlGaInP	Ultra-Red	630		2.0	2.3

## TOF-5421

0.52" Four Digit Display



### Features

- 0.52 inch digit height
- Various color
- IC compatible
- Excellent color uniformity
- Low current operation available
- Design flexibility



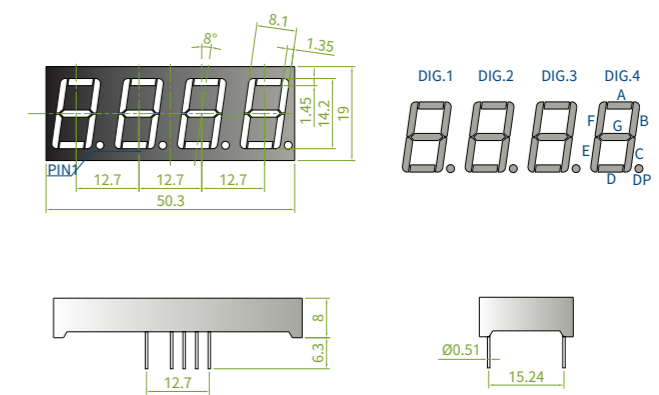
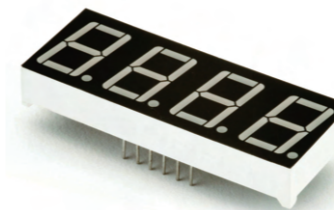
### Application

- Medical and industrial equipments
- Cashier machine and billboard
- Consumer and gaming electronics application
- Home appliance display application
- Customization product

Chip			Face Color	VF(V) at IF=20mA	
Material	Emitted Color	$\lambda_d$ (nm)		TYP.	MAX.
AlGaInP	Ultra-Green	572	Optional	2.0	2.3
AlGaInP	Ultra-Yellow	590		2.0	2.3
AlGaInP	Ultra-Orange	623		2.0	2.3
AlGaInP	Ultra-Red	630		2.0	2.3

## TOF-5461

0.56" Four Digit Display



### Features

- 0.56 inch digit height
- Various color
- IC compatible
- Excellent color uniformity
- Low current operation available
- Design flexibility



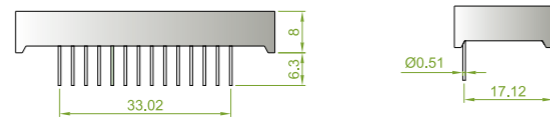
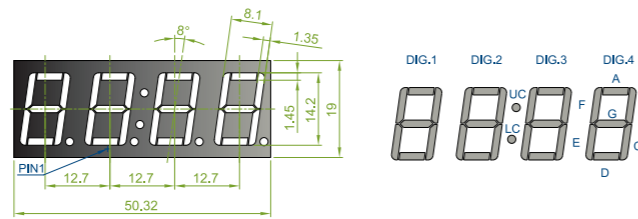
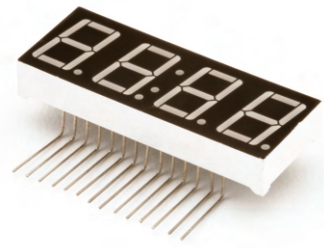
### Application

- Medical and industrial equipments
- Cashier machine and billboard
- Consumer and gaming electronics application
- Home appliance display application
- Customization product

Chip			Face Color	VF(V) at IF=20mA	
Material	Emitted Color	$\lambda_d$ (nm)		TYP.	MAX.
AlGaInP	Ultra-Green	572	Optional	2.0	2.3
AlGaInP	Ultra-Yellow	590		2.0	2.3
AlGaInP	Ultra-Orange	623		2.0	2.3
AlGaInP	Ultra-Red	630		2.0	2.3

## TOF-5462

0.56" Four Digit Display



### Features

- 0.56 inch digit height
- Various color
- IC compatible
- Excellent color uniformity
- Low current operation available
- Design flexibility



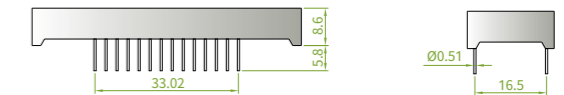
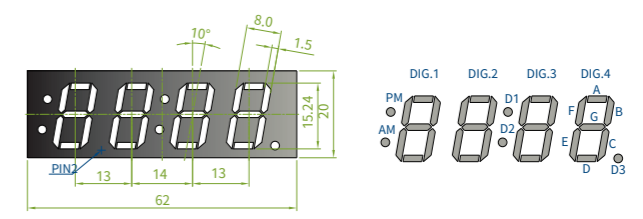
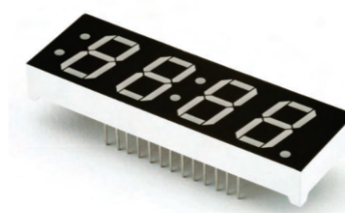
### Application

- Medical and industrial equipments
- Cashier machine and billboard
- Consumer and gaming electronics application
- Home appliance display application
- Customization product

Chip			Face Color	VF(V) at IF=20mA	
Material	Emitted Color	$\lambda_d$ (nm)		TYP.	MAX.
AlGaInP	Ultra-Green	572	Optional	2.0	2.3
AlGaInP	Ultra-Yellow	590		2.0	2.3
AlGaInP	Ultra-Orange	623		2.0	2.3
AlGaInP	Ultra-Red	630		2.0	2.3

## TOF-6408

0.60" Four Digit Display



### Features

- 0.60 inch digit height
- Various color
- IC compatible
- Excellent color uniformity
- Low current operation available
- Design flexibility



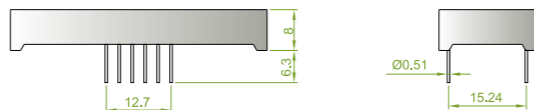
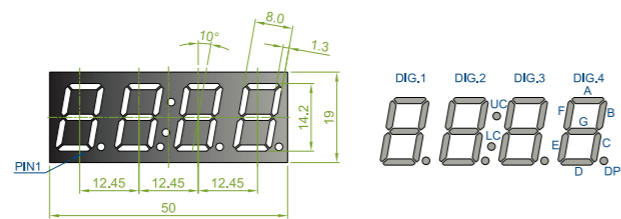
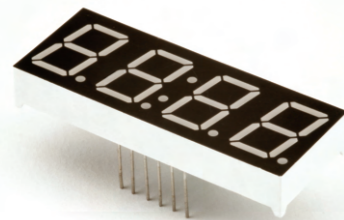
### Application

- Medical and industrial equipments
- Cashier machine and billboard
- Consumer and gaming electronics application
- Home appliance display application
- Customization product

Chip			Face Color	VF(V) at IF=20mA	
Material	Emitted Color	$\lambda_d$ (nm)		TYP.	MAX.
AlGaInP	Ultra-Green	572	Optional	2.0	2.3
AlGaInP	Ultra-Yellow	590		2.0	2.3
AlGaInP	Ultra-Orange	623		2.0	2.3
AlGaInP	Ultra-Red	630		2.0	2.3

## TOF-5465

0.56" Four Digit Display



### Features

- 0.56 inch digit height
- Various color
- IC compatible
- Excellent color uniformity
- Low current operation available
- Design flexibility



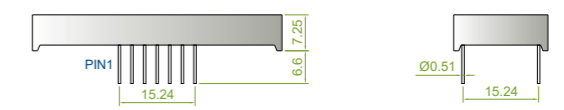
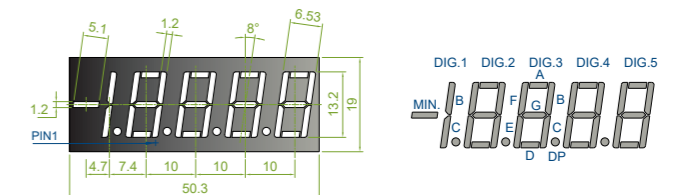
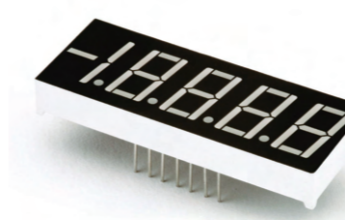
### Application

- Medical and industrial equipments
- Cashier machine and billboard
- Consumer and gaming electronics application
- Home appliance display application
- Customization product

Chip			Face Color	VF(V) at IF=20mA	
Material	Emitted Color	$\lambda_d$ (nm)		TYP.	MAX.
AlGaInP	Ultra-Green	572	Optional	2.0	2.3
AlGaInP	Ultra-Yellow	590		2.0	2.3
AlGaInP	Ultra-Orange	623		2.0	2.3
AlGaInP	Ultra-Red	630		2.0	2.3

## TOF-5521

0.52" Five Digit Display



### Features

- 0.52 inch digit height
- Various color
- IC compatible
- Excellent color uniformity
- Low current operation available
- Design flexibility



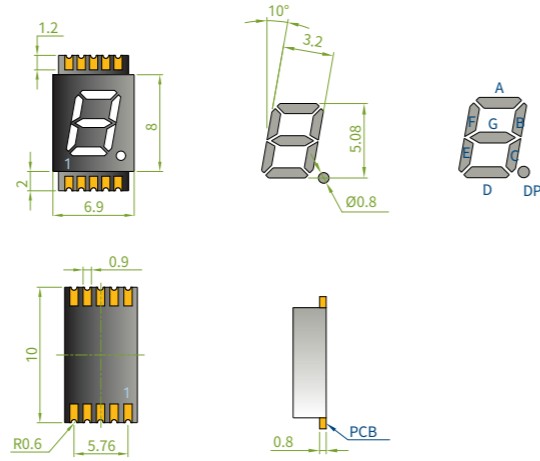
### Application

- Medical and industrial equipments
- Cashier machine and billboard
- Consumer and gaming electronics application
- Home appliance display application
- Customization product

Chip			Face Color	VF(V) at IF=20mA	
Material	Emitted Color	$\lambda_d$ (nm)		TYP.	MAX.
AlGaInP	Ultra-Green	572	Optional	2.0	2.3
AlGaInP	Ultra-Yellow	590		2.0	2.3
AlGaInP	Ultra-Orange	623		2.0	2.3
AlGaInP	Ultra-Red	630		2.0	2.3

# TOS-F2101

0.20" Single Digit SMD Display



- Features**
- 0.20 inch digit height
  - Various color
  - IC compatible
  - Excellent color uniformity
  - Low current operation available
  - Design flexibility
  - Thinner than traditional display

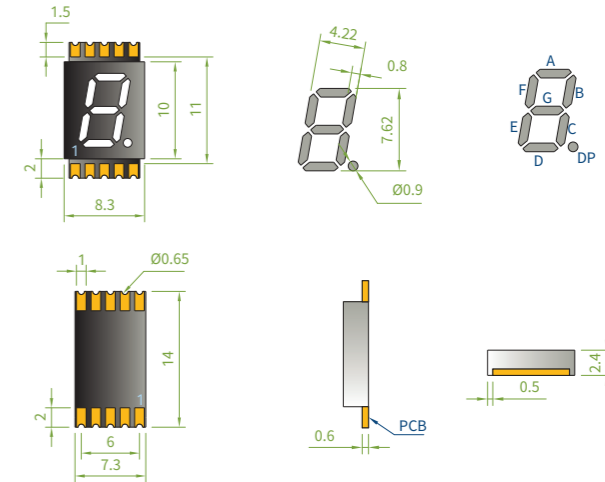
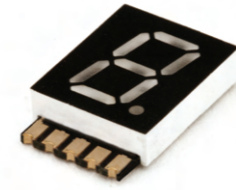
- Application**
- Medical and industrial equipments
  - Cashier machine and billboard
  - Consumer and gaming electronics application
  - Home appliance display application
  - Customization product



Chip			Face Color	VF(V) at IF=20mA	
Material	Emitted Color	$\lambda_d$ (nm)		TYP.	MAX.
AlGaInP	Ultra-Green	572	Optional	2.0	2.3
AlGaInP	Ultra-Yellow	590		2.0	2.3
AlGaInP	Ultra-Orange	623		2.0	2.3
AlGaInP	Ultra-Red	630		2.0	2.3

# TOS-F3102

0.30" Single Digit SMD Display



- Features**
- 0.30 inch digit height
  - Various color
  - IC compatible
  - Excellent color uniformity
  - Low current operation available
  - Design flexibility
  - Thinner than traditional display

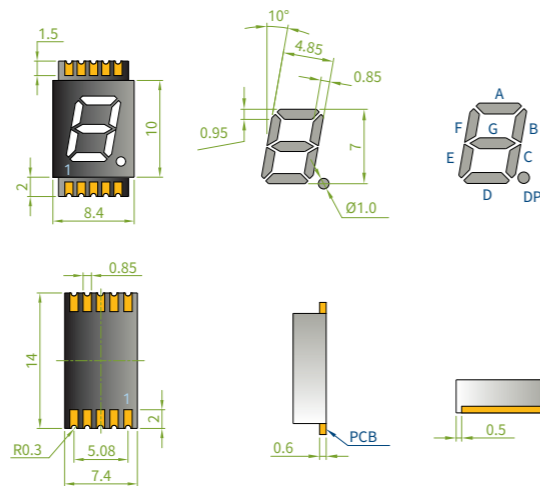
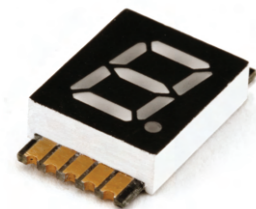
- Application**
- Medical and industrial equipments
  - Cashier machine and billboard
  - Consumer and gaming electronics application
  - Home appliance display application
  - Customization product



Chip			Face Color	VF(V) at IF=20mA	
Material	Emitted Color	$\lambda_d$ (nm)		TYP.	MAX.
AlGaInP	Ultra-Green	572	Optional	2.0	2.3
AlGaInP	Ultra-Yellow	590		2.0	2.3
AlGaInP	Ultra-Orange	623		2.0	2.3
AlGaInP	Ultra-Red	630		2.0	2.3

# TOS-F2181

0.28" Single Digit SMD Display



- Features**
- 0.28 inch digit height
  - Various color
  - IC compatible
  - Excellent color uniformity
  - Low current operation available
  - Design flexibility
  - Thinner than traditional display

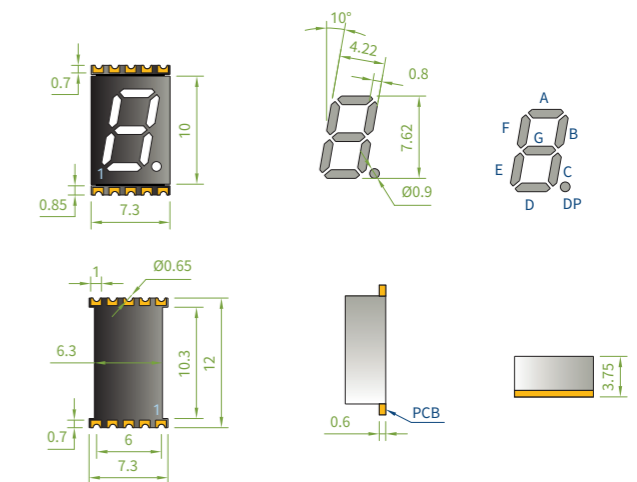
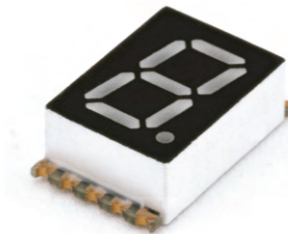
- Application**
- Medical and industrial equipments
  - Cashier machine and billboard
  - Consumer and gaming electronics application
  - Home appliance display application
  - Customization product



Chip			Face Color	VF(V) at IF=20mA	
Material	Emitted Color	$\lambda_d$ (nm)		TYP.	MAX.
AlGaInP	Ultra-Green	572	Optional	2.0	2.3
AlGaInP	Ultra-Yellow	590		2.0	2.3
AlGaInP	Ultra-Orange	623		2.0	2.3
AlGaInP	Ultra-Red	630		2.0	2.3

# TOS-F3104

0.30" Single Digit SMD Display



- Features**
- 0.30 inch digit height
  - Various color
  - IC compatible
  - Excellent color uniformity
  - Low current operation available
  - Design flexibility
  - Thinner than traditional display

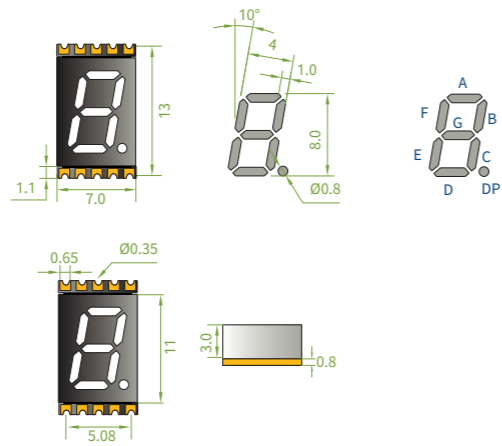
- Application**
- Medical and industrial equipments
  - Cashier machine and billboard
  - Consumer and gaming electronics application
  - Home appliance display application
  - Customization product



Chip			Face Color	VF(V) at IF=20mA	
Material	Emitted Color	$\lambda_d$ (nm)		TYP.	MAX.
AlGaInP	Ultra-Green	572	Optional	2.0	2.3
AlGaInP	Ultra-Yellow	590		2.0	2.3
AlGaInP	Ultra-Orange	623		2.0	2.3
AlGaInP	Ultra-Red	630		2.0	2.3

# TOS-F3124

0.31" Single Digit SMD Display



**Features**

- 0.31 inch digit height
- Various color
- IC compatible
- Excellent color uniformity
- Low current operation available
- Design flexibility
- Thinner than traditional display

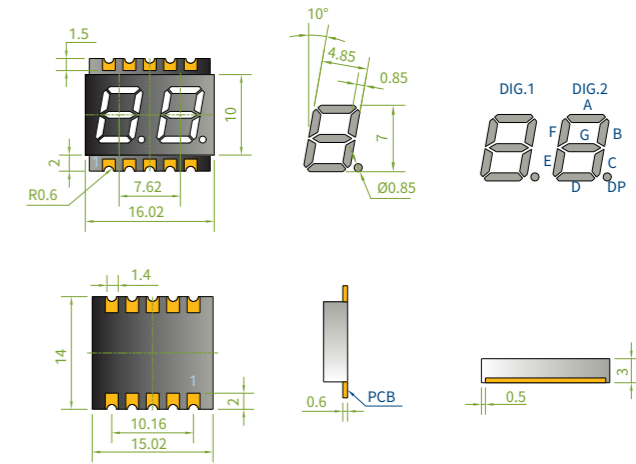
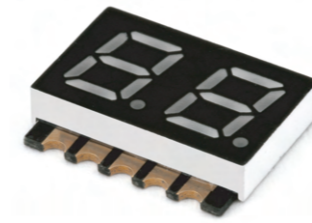
**Application**

- Medical and industrial equipments
- Cashier machine and billboard
- Consumer and gaming electronics application
- Home appliance display application
- Customization product

Chip			Face Color	VF(V) at IF=20mA	
Material	Emitted Color	$\lambda_d$ (nm)		TYP.	MAX.
AlGaInP	Ultra-Green	572	Optional	2.0	2.3
AlGaInP	Ultra-Yellow	590		2.0	2.3
AlGaInP	Ultra-Orange	623		2.0	2.3
AlGaInP	Ultra-Red	630		2.0	2.3

# TOD-F2281

0.28" Dual Digit SMD Display



**Features**

- 0.28 inch digit height
- Various color
- IC compatible
- Excellent color uniformity
- Low current operation available
- Design flexibility
- Thinner than traditional display

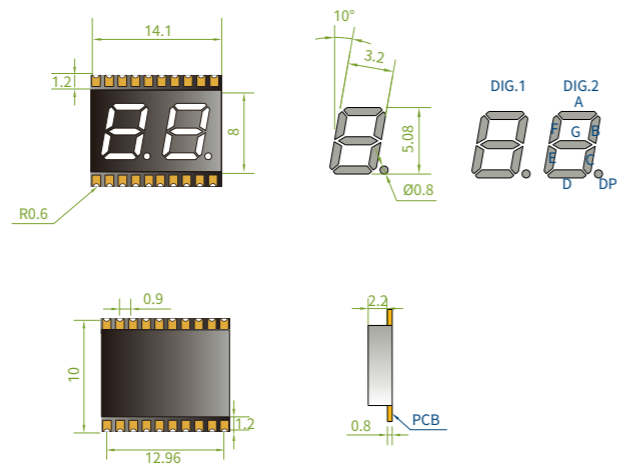
**Application**

- Medical and industrial equipments
- Cashier machine and billboard
- Consumer and gaming electronics application
- Home appliance display application
- Customization product

Chip			Face Color	VF(V) at IF=20mA	
Material	Emitted Color	$\lambda_d$ (nm)		TYP.	MAX.
AlGaInP	Ultra-Green	572	Optional	2.0	2.3
AlGaInP	Ultra-Yellow	590		2.0	2.3
AlGaInP	Ultra-Orange	623		2.0	2.3
AlGaInP	Ultra-Red	630		2.0	2.3

# TOD-F2201

0.20" Dual Digit SMD Display



**Features**

- 0.20 inch digit height
- Various color
- IC compatible
- Excellent color uniformity
- Low current operation available
- Design flexibility
- Thinner than traditional display

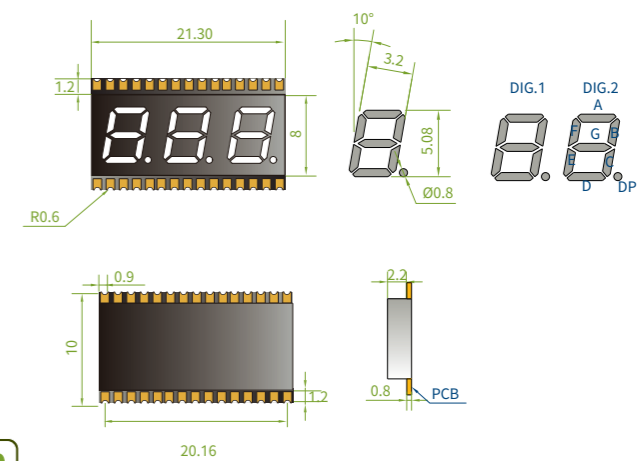
**Application**

- Medical and industrial equipments
- Cashier machine and billboard
- Consumer and gaming electronics application
- Home appliance display application
- Customization product

Chip			Face Color	VF(V) at IF=20mA	
Material	Emitted Color	$\lambda_d$ (nm)		TYP.	MAX.
AlGaInP	Ultra-Green	572	Optional	2.0	2.3
AlGaInP	Ultra-Yellow	590		2.0	2.3
AlGaInP	Ultra-Orange	623		2.0	2.3
AlGaInP	Ultra-Red	630		2.0	2.3

# TOT-F2303

0.20" Three Digit SMD Display



**Features**

- 0.20 inch digit height
- Various color
- IC compatible
- Excellent color uniformity
- Low current operation available
- Design flexibility
- Thinner than traditional display

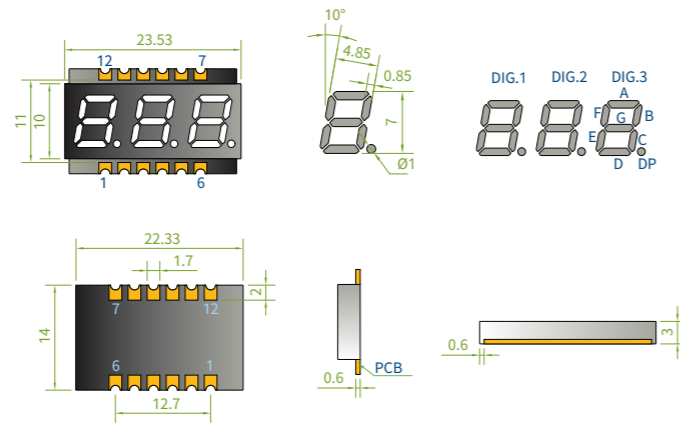
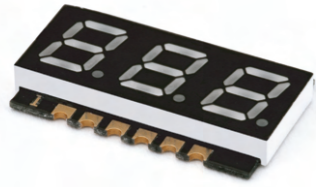
**Application**

- Medical and industrial equipments
- Cashier machine and billboard
- Consumer and gaming electronics application
- Home appliance display application
- Customization product

Chip			Face Color	VF(V) at IF=20mA	
Material	Emitted Color	$\lambda_d$ (nm)		TYP.	MAX.
AlGaInP	Ultra-Green	572	Optional	2.0	2.3
AlGaInP	Ultra-Yellow	590		2.0	2.3
AlGaInP	Ultra-Orange	623		2.0	2.3
AlGaInP	Ultra-Red	630		2.0	2.3

# TOT-F2381

0.28" Triple Digit SMD Display



- Features**
- 0.28 inch digit height
  - Various color
  - IC compatible
  - Excellent color uniformity
  - Low current operation available
  - Design flexibility
  - Thinner than traditional display

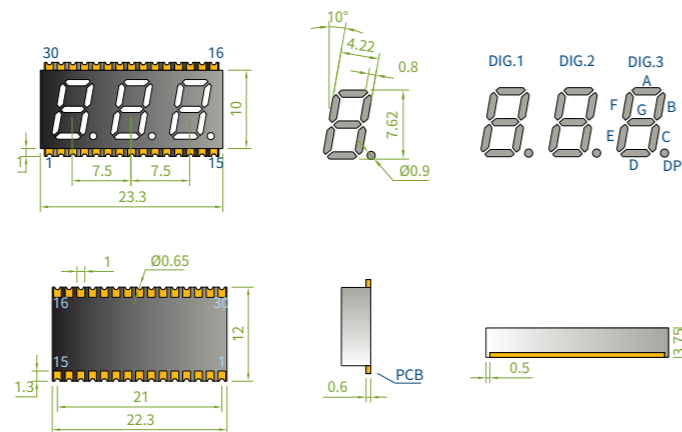
- Application**
- Medical and industrial equipments
  - Cashier machine and billboard
  - Consumer and gaming electronics application
  - Home appliance display application
  - Customization product



Chip			Face Color	VF(V) at IF=20mA	
Material	Emitted Color	$\lambda_d$ (nm)		TYP.	MAX.
AlGaInP	Ultra-Green	572	Optional	2.0	2.3
AlGaInP	Ultra-Yellow	590		2.0	2.3
AlGaInP	Ultra-Orange	623		2.0	2.3
AlGaInP	Ultra-Red	630		2.0	2.3
AlGaInP	Ultra-Red	630		2.0	2.3

# TOT-F3301

0.30" Triple Digit SMD Display



- Features**
- 0.30 inch digit height
  - Various color
  - IC compatible
  - Excellent color uniformity
  - Low current operation available
  - Design flexibility
  - Thinner than traditional display

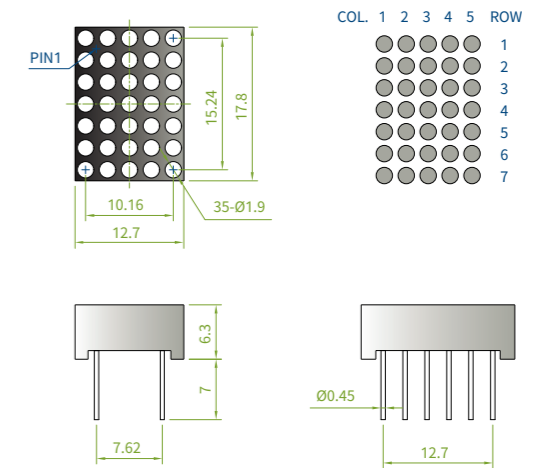
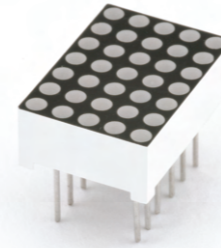
- Application**
- Medical and industrial equipments
  - Cashier machine and billboard
  - Consumer and gaming electronics application
  - Home appliance display application



Chip			Face Color	VF(V) at IF=20mA	
Material	Emitted Color	$\lambda_d$ (nm)		TYP.	MAX.
AlGaInP	Ultra-Green	572	Optional	2.0	2.3
AlGaInP	Ultra-Yellow	590		2.0	2.3
AlGaInP	Ultra-Orange	623		2.0	2.3
AlGaInP	Ultra-Red	630		2.0	2.3
AlGaInP	Ultra-Red	630		2.0	2.3

# TOM-757

5x7 Ø1.9 Dot Matrix Display



- Features**
- Various color
  - IC compatible
  - Excellent color uniformity
  - Low current operation available
  - Design flexibility
  - Character and video display

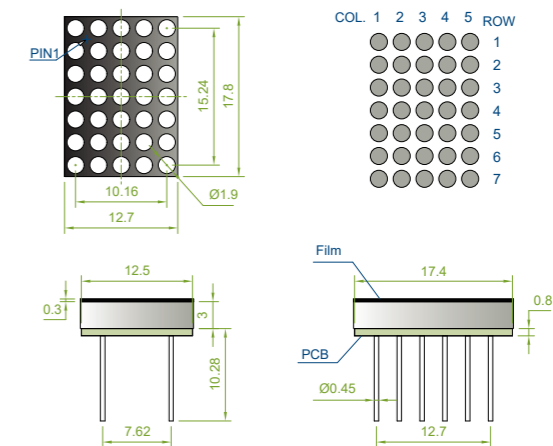
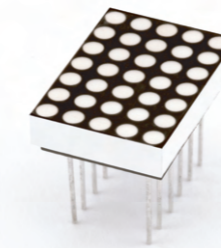
- Application**
- Electronic marquee
  - Commercial signboard
  - Customization product



Chip			Face Color	VF(V) at IF=20mA	
Material	Emitted Color	$\lambda_d$ (nm)		TYP.	MAX.
AlGaInP	Ultra-Green	572	Optional	2.0	2.3
AlGaInP	Ultra-Yellow	590		2.0	2.3
AlGaInP	Ultra-Orange	623		2.0	2.3
AlGaInP	Ultra-Red	630		2.0	2.3
AlGaInP	Ultra-Red	630		2.0	2.3

# TOM-D757

5x7 Ø1.9 Dot Matrix Display



- Features**
- Various color
  - IC compatible
  - Excellent color uniformity
  - Low current operation available
  - Design flexibility
  - Character and video display

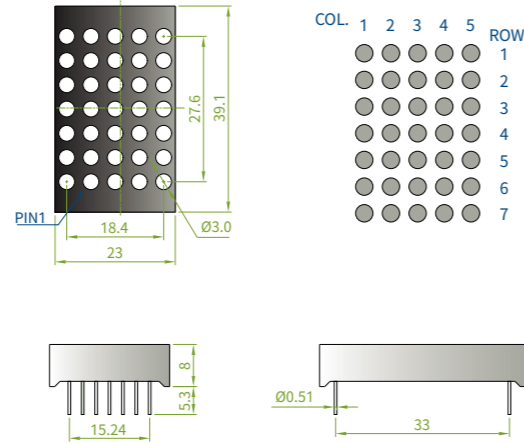
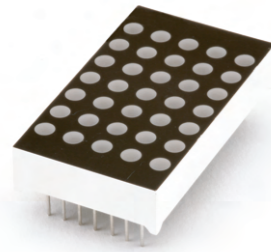
- Application**
- Electronic marquee
  - Commercial signboard
  - Customization product



Chip			Face Color	VF(V) at IF=20mA	
Material	Emitted Color	$\lambda_d$ (nm)		TYP.	MAX.
AlGaInP	Ultra-Green	572	Optional	2.0	2.3
AlGaInP	Ultra-Yellow	590		2.0	2.3
AlGaInP	Ultra-Orange	623		2.0	2.3
AlGaInP	Ultra-Red	630		2.0	2.3
AlGaInP	Ultra-Red	630		2.0	2.3

# TOM-1057

5x7 Ø3.0 Dot Matrix Display



**Features**

- Various color
- IC compatible
- Excellent color uniformity
- Low current operation available
- Design flexibility
- Character and video display

**Application**

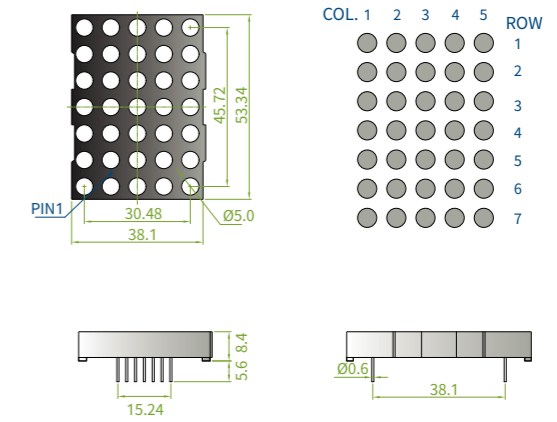
- Electronic marquee
- Commercial signboard
- Customization product



Chip			Face Color	VF(V) at IF=20mA	
Material	Emitted Color	$\lambda_d$ (nm)		TYP.	MAX.
AlGaInP	Ultra-Green	572	Optional	2.0	2.3
AlGaInP	Ultra-Yellow	590		2.0	2.3
AlGaInP	Ultra-Orange	623		2.0	2.3
AlGaInP	Ultra-Red	630		2.0	2.3

# TOM-2057

5x7 Ø5.0 Dot Matrix Display



**Features**

- Various color
- IC compatible
- Excellent color uniformity
- Low current operation available
- Design flexibility
- Character and video display

**Application**

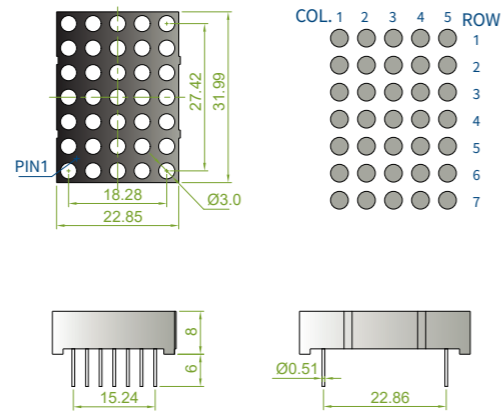
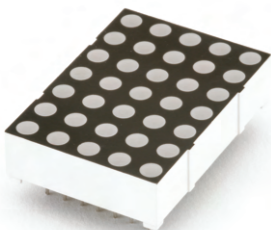
- Electronic marquee
- Commercial signboard
- Customization product



Chip			Face Color	VF(V) at IF=20mA	
Material	Emitted Color	$\lambda_d$ (nm)		TYP.	MAX.
AlGaInP	Ultra-Green	572	Optional	2.0	2.3
AlGaInP	Ultra-Yellow	590		2.0	2.3
AlGaInP	Ultra-Orange	623		2.0	2.3
AlGaInP	Ultra-Red	630		2.0	2.3

# TOM-1157

5x7 Ø3.0 Dot Matrix Display



**Features**

- Various color
- IC compatible
- Excellent color uniformity
- Low current operation available
- Design flexibility
- Character and video display

**Application**

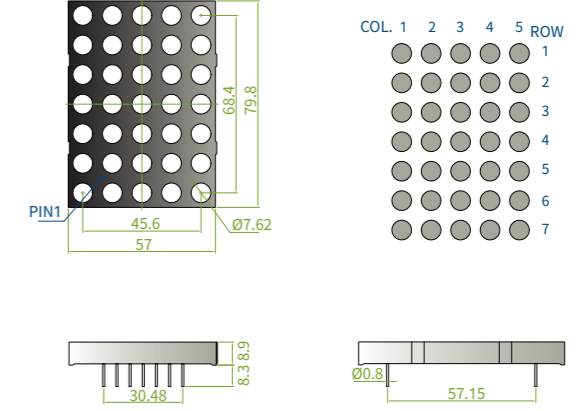
- Electronic marquee
- Commercial signboard
- Customization product



Chip			Face Color	VF(V) at IF=20mA	
Material	Emitted Color	$\lambda_d$ (nm)		TYP.	MAX.
AlGaInP	Ultra-Green	572	Optional	2.0	2.3
AlGaInP	Ultra-Yellow	590		2.0	2.3
AlGaInP	Ultra-Orange	623		2.0	2.3
AlGaInP	Ultra-Red	630		2.0	2.3

# TOM-3057

5x7 Ø7.62 Dot Matrix Display



**Features**

- Various color
- IC compatible
- Excellent color uniformity
- Low current operation available
- Design flexibility
- Character and video display

**Application**

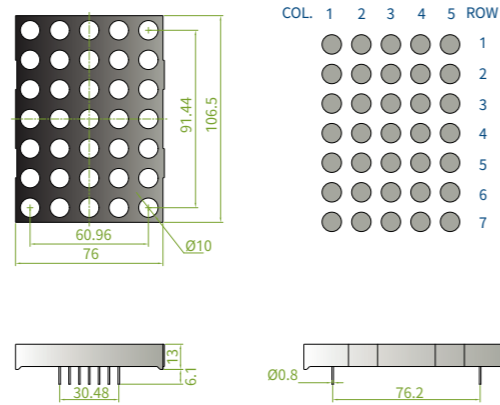
- Electronic marquee
- Commercial signboard
- Customization product



Chip			Face Color	VF(V) at IF=20mA	
Material	Emitted Color	$\lambda_d$ (nm)		TYP.	MAX.
AlGaInP	Ultra-Green	572	Optional	2.0	2.3
AlGaInP	Ultra-Yellow	590		2.0	2.3
AlGaInP	Ultra-Orange	623		2.0	2.3
AlGaInP	Ultra-Red	630		2.0	2.3

# TOM-4057

5x7 Ø10.0 Dot Matrix Display



**Features**

- Various color
- IC compatible
- Excellent color uniformity
- Low current operation available
- Design flexibility
- Character and video display

**Application**

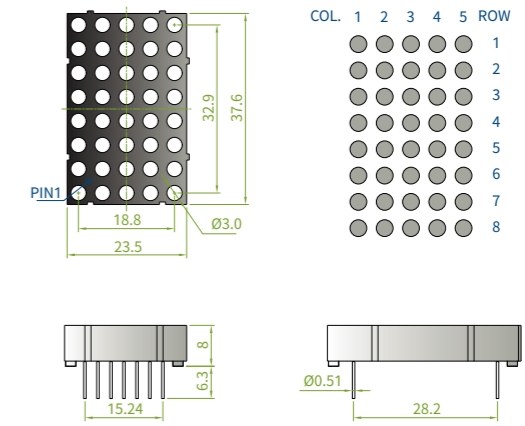
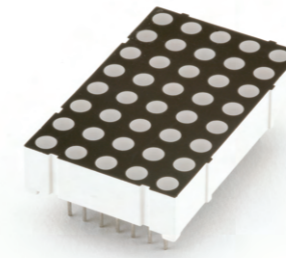
- Electronic marquee
- Commercial signboard
- Customization product

Chip			Face Color	VF(V) at IF=20mA	
Material	Emitted Color	$\lambda_d$ (nm)		TYP.	MAX.
AlGaInP	Ultra-Green	572	Optional	2.0	2.3
AlGaInP	Ultra-Yellow	590		2.0	2.3
AlGaInP	Ultra-Orange	623		2.0	2.3
AlGaInP	Ultra-Red	630		2.0	2.3

TOM

# TOM-1058

5x8 Ø3.0 Dot Matrix Display



**Features**

- Various color
- IC compatible
- Excellent color uniformity
- Low current operation available
- Design flexibility
- Character and video display

**Application**

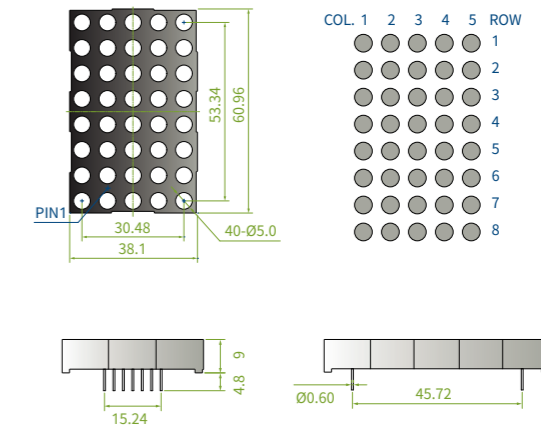
- Electronic marquee
- Commercial signboard
- Customization product

Chip			Face Color	VF(V) at IF=20mA	
Material	Emitted Color	$\lambda_d$ (nm)		TYP.	MAX.
AlGaInP	Ultra-Green	572	Optional	2.0	2.3
AlGaInP	Ultra-Yellow	590		2.0	2.3
AlGaInP	Ultra-Orange	623		2.0	2.3
AlGaInP	Ultra-Red	630		2.0	2.3

TOM

# TOM-2058

5x8 Ø5.0 Dot Matrix Display



**Features**

- Various color
- IC compatible
- Excellent color uniformity
- Low current operation available
- Design flexibility
- Character and Video Display

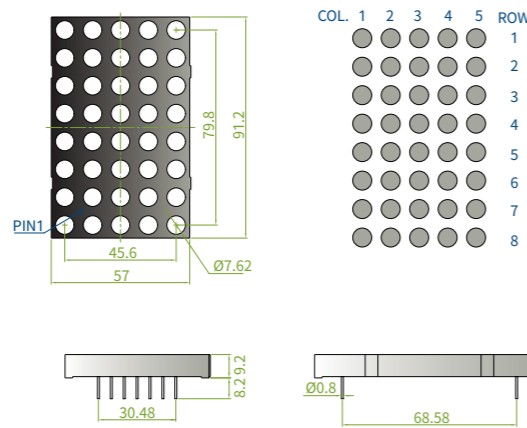
**Application**

- Electronic Marquee
- Commercial Signboard
- Customization Product

Chip			Face Color	VF(V) at IF=20mA	
Material	Emitted Color	$\lambda_d$ (nm)		TYP.	MAX.
AlGaInP	Ultra-Green	572	Optional	2.0	2.3
AlGaInP	Ultra-Yellow	590		2.0	2.3
AlGaInP	Ultra-Orange	623		2.0	2.3
AlGaInP	Ultra-Red	630		2.0	2.3

# TOM-3058

5x8 Ø7.62 Dot Matrix Display



- Features**
- Various color
  - IC compatible
  - Excellent color uniformity
  - Low current operation available
  - Design flexibility
  - Character and video display

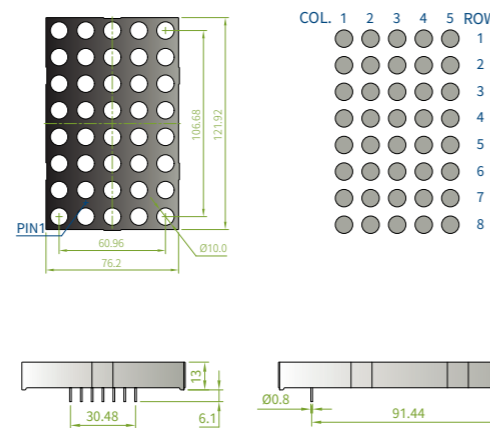
- Application**
- Electronic marquee
  - Commercial signboard
  - Customization product



Chip			Face Color	VF(V) at IF=20mA	
Material	Emitted Color	λ <sub>d</sub> (nm)		TYP.	MAX.
AlGaInP	Ultra-Green	572	Optional	2.0	2.3
AlGaInP	Ultra-Yellow	590		2.0	2.3
AlGaInP	Ultra-Orange	623		2.0	2.3
AlGaInP	Ultra-Red	630		2.0	2.3

# TOM-4058

5x8 Ø10.0 Dot Matrix Display



- Features**
- Various color
  - IC compatible
  - Excellent color uniformity
  - Low current operation available
  - Design flexibility
  - Character and video display

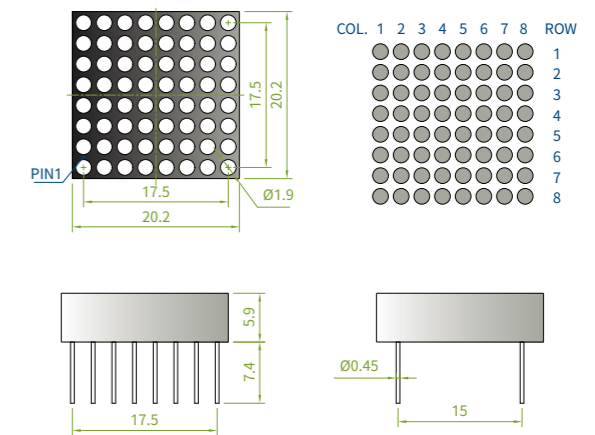
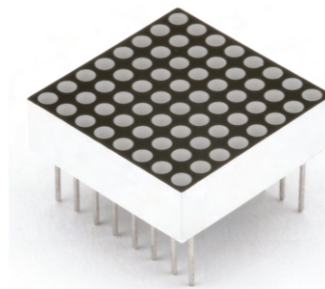
- Application**
- Electronic marquee
  - Commercial signboard
  - Customization product



Chip			Face Color	VF(V) at IF=20mA	
Material	Emitted Color	λ <sub>d</sub> (nm)		TYP.	MAX.
AlGaInP	Ultra-Green	572	Optional	2.0	2.3
AlGaInP	Ultra-Yellow	590		2.0	2.3
AlGaInP	Ultra-Orange	623		2.0	2.3
AlGaInP	Ultra-Red	630		2.0	2.3

# TOM-788

8x8 Ø1.9 Dot Matrix Display



- Features**
- Various color
  - IC compatible
  - Excellent color uniformity
  - Low current operation available
  - Design flexibility
  - Character and video display

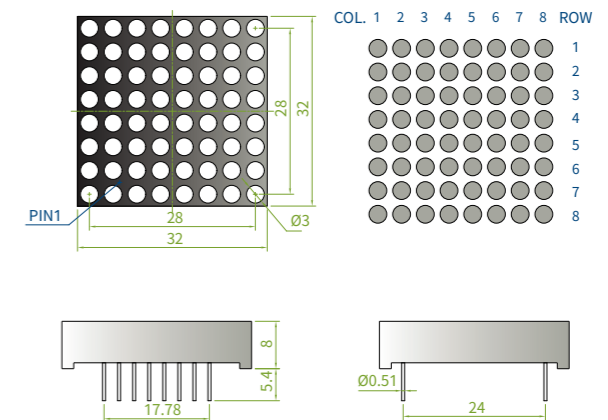
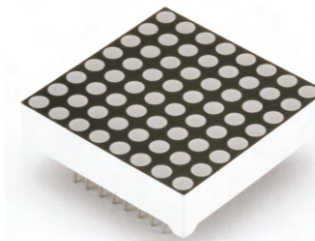
- Application**
- Electronic marquee
  - Commercial signboard
  - Customization product



Chip			Face Color	VF(V) at IF=20mA	
Material	Emitted Color	λ <sub>d</sub> (nm)		TYP.	MAX.
AlGaInP	Ultra-Green	572	Optional	2.0	2.3
AlGaInP	Ultra-Yellow	590		2.0	2.3
AlGaInP	Ultra-Orange	623		2.0	2.3
AlGaInP	Ultra-Red	630		2.0	2.3

# TOM-1088

8x8 Ø3.0 Dot Matrix Display



- Features**
- Various color
  - IC compatible
  - Excellent color uniformity
  - Low current operation available
  - Design flexibility
  - Character and video display

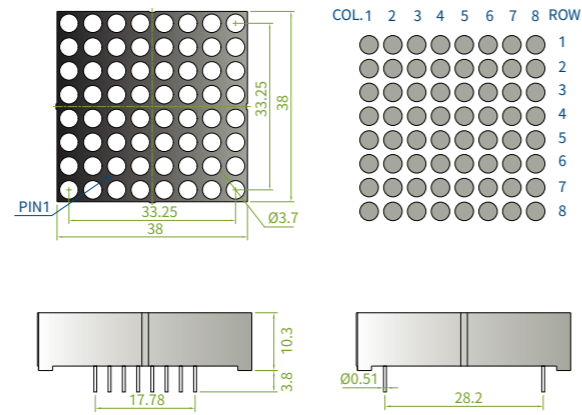
- Application**
- Electronic marquee
  - Commercial signboard
  - Customization product



Chip			Face Color	VF(V) at IF=20mA	
Material	Emitted Color	λ <sub>d</sub> (nm)		TYP.	MAX.
AlGaInP	Ultra-Green	572	Optional	2.0	2.3
AlGaInP	Ultra-Yellow	590		2.0	2.3
AlGaInP	Ultra-Orange	623		2.0	2.3
AlGaInP	Ultra-Red	630		2.0	2.3

# TOM-1588

8x8 Ø3.7 Dot Matrix Display



- Features**
- Various color
  - IC compatible
  - Excellent color uniformity
  - Low current operation available
  - Design flexibility
  - Character and video display

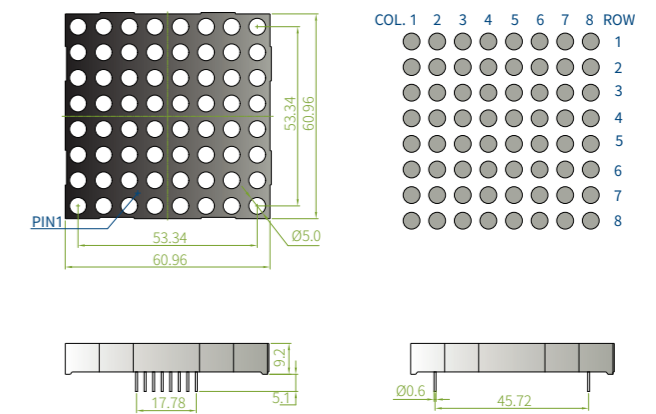
- Application**
- Electronic marquee
  - Commercial signboard
  - Customization product



Chip			Face Color	VF(V) at IF=20mA	
Material	Emitted Color	$\lambda_d$ (nm)		TYP.	MAX.
AlGaInP	Ultra-Green	572	Optional	2.0	2.3
AlGaInP	Ultra-Yellow	590		2.0	2.3
AlGaInP	Ultra-Orange	623		2.0	2.3
AlGaInP	Ultra-Red	630		2.0	2.3

# TOM-2088

8x8 Ø5.0 Dot Matrix Display



- Features**
- Various color
  - IC compatible
  - Excellent color uniformity
  - Low current operation available
  - Design flexibility
  - Character and video display

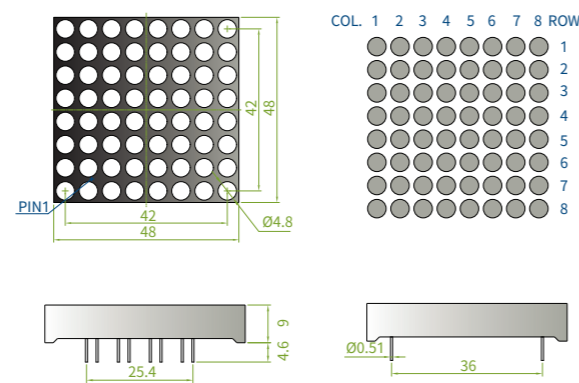
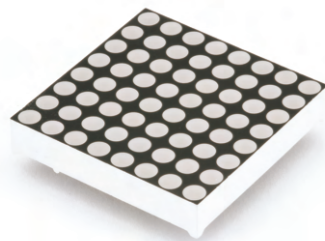
- Application**
- Electronic marquee
  - Commercial signboard
  - Customization product



Chip			Face Color	VF(V) at IF=20mA	
Material	Emitted Color	$\lambda_d$ (nm)		TYP.	MAX.
AlGaInP	Ultra-Green	572	Optional	2.0	2.3
AlGaInP	Ultra-Yellow	590		2.0	2.3
AlGaInP	Ultra-Orange	623		2.0	2.3
AlGaInP	Ultra-Red	630		2.0	2.3

# TOM-1988

8x8 Ø4.8 Dot Matrix Display



- Features**
- Various color
  - IC compatible
  - Excellent color uniformity
  - Low current operation available
  - Design flexibility
  - Character and video display

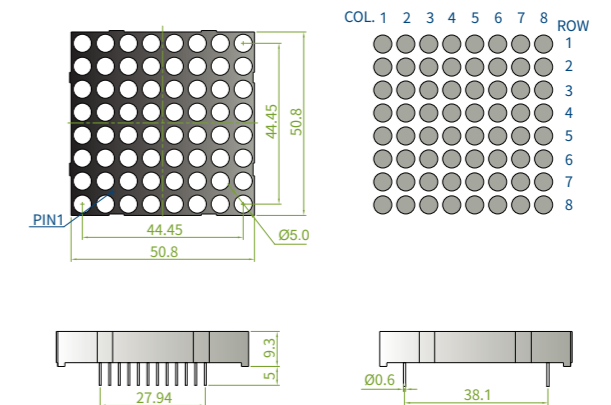
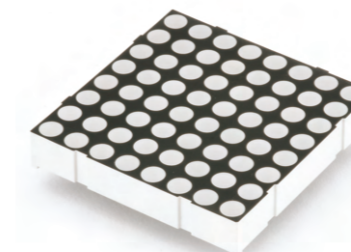
- Application**
- Electronic marquee
  - Commercial signboard
  - Customization product



Chip			Face Color	VF(V) at IF=20mA	
Material	Emitted Color	$\lambda_d$ (nm)		TYP.	MAX.
AlGaInP	Ultra-Green	572	Optional	2.0	2.3
AlGaInP	Ultra-Yellow	590		2.0	2.3
AlGaInP	Ultra-Orange	623		2.0	2.3
AlGaInP	Ultra-Red	630		2.0	2.3

# TOM-5188

8x8 Ø5.0 Dot Matrix Display



- Features**
- Various color
  - IC compatible
  - Excellent color uniformity
  - Low current operation available
  - Design flexibility
  - Character and video display

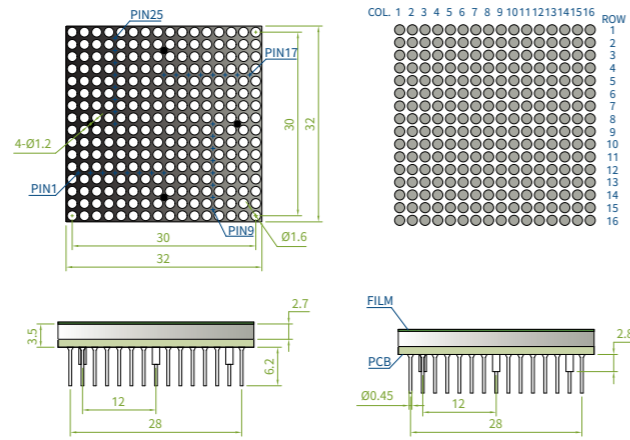
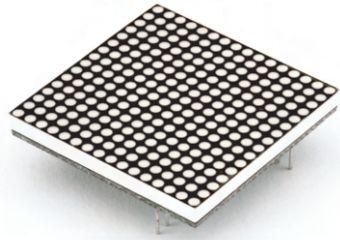
- Application**
- Electronic marquee
  - Commercial signboard
  - Customization product



Chip			Face Color	VF(V) at IF=20mA	
Material	Emitted Color	$\lambda_d$ (nm)		TYP.	MAX.
AlGaInP	Ultra-Green	572	Optional	2.0	2.3
AlGaInP	Ultra-Yellow	590		2.0	2.3
AlGaInP	Ultra-Orange	623		2.0	2.3
AlGaInP	Ultra-Red	630		2.0	2.3

# TOM-D1216

16x16 Ø1.6 Dot Matrix Display



**Features**

- Various color
- IC compatible
- Excellent color uniformity
- Low current operation available
- Design flexibility
- Character and video display

**Application**

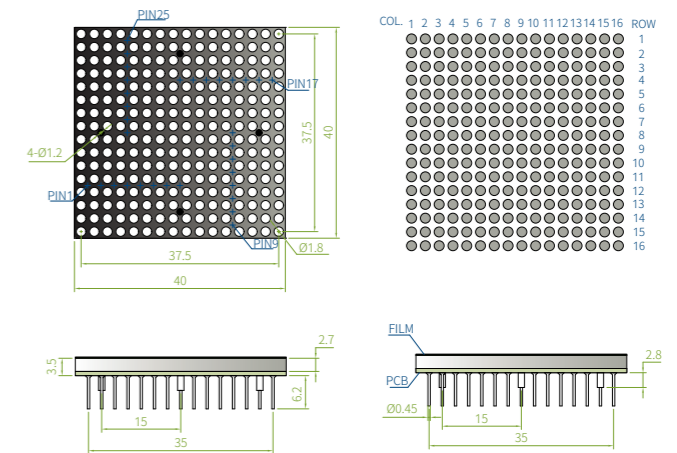
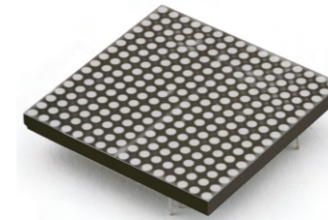
- Electronic marquee
- Commercial signboard
- Customization product



Chip			Face Color	VF(V) at IF=20mA	
Material	Emitted Color	$\lambda_d$ (nm)		TYP.	MAX.
AlGaInP	Ultra-Green	572	Optional	2.0	2.3
AlGaInP	Ultra-Yellow	590		2.0	2.3
AlGaInP	Ultra-Orange	623		2.0	2.3
AlGaInP	Ultra-Red	630		2.0	2.3

# TOM-D1516

16x16 Ø1.8 Dot Matrix Display



**Features**

- Various color
- IC compatible
- Excellent color uniformity
- Low current operation available
- Design flexibility
- Character and video display

**Application**

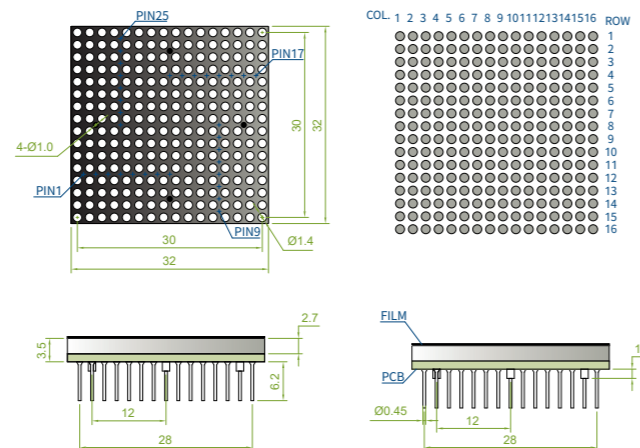
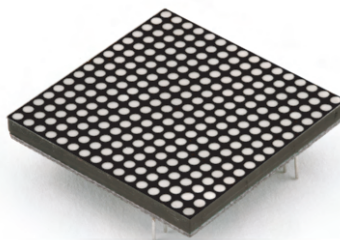
- Electronic marquee
- Commercial signboard
- Customization product



Chip			Face Color	VF(V) at IF=20mA	
Material	Emitted Color	$\lambda_d$ (nm)		TYP.	MAX.
AlGaInP	Ultra-Green	572	Optional	2.0	2.3
AlGaInP	Ultra-Yellow	590		2.0	2.3
AlGaInP	Ultra-Orange	623		2.0	2.3
AlGaInP	Ultra-Red	630		2.0	2.3

# TOM-D1316

16x16 Ø1.4 Dot Matrix Display



**Features**

- Various color
- IC compatible
- Excellent color uniformity
- Low current operation available
- Design flexibility
- Character and video display

**Application**

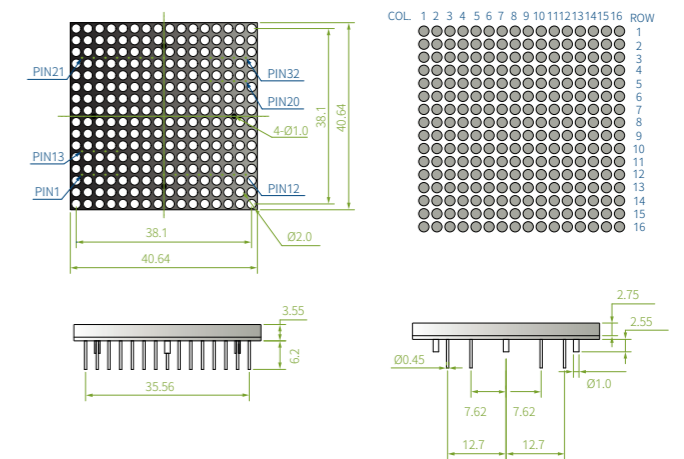
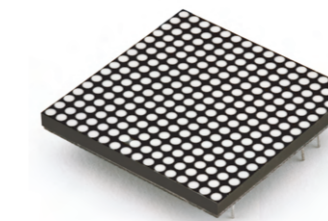
- Electronic marquee
- Commercial signboard
- Customization product



Chip			Face Color	VF(V) at IF=20mA	
Material	Emitted Color	$\lambda_d$ (nm)		TYP.	MAX.
AlGaInP	Ultra-Green	572	Optional	2.0	2.3
AlGaInP	Ultra-Yellow	590		2.0	2.3
AlGaInP	Ultra-Orange	623		2.0	2.3
AlGaInP	Ultra-Red	630		2.0	2.3

# TOM-D1616

16x16 Ø2.0 Dot Matrix Display



**Features**

- Various color
- IC compatible
- Excellent color uniformity
- Low current operation available
- Design flexibility
- Character and video display

**Application**

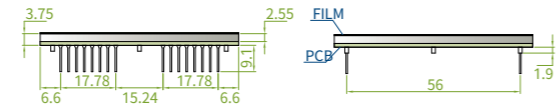
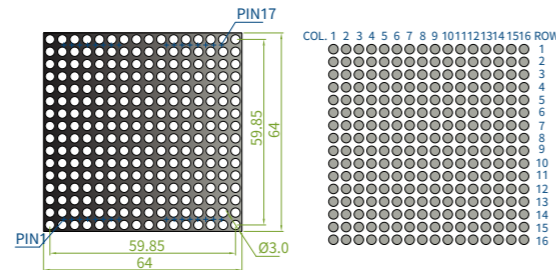
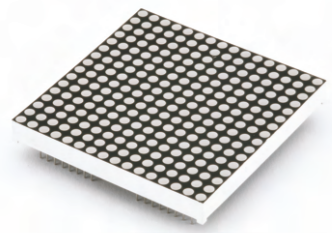
- Electronic marquee
- Commercial signboard
- Customization product



Chip			Face Color	VF(V) at IF=20mA	
Material	Emitted Color	$\lambda_d$ (nm)		TYP.	MAX.
AlGaInP	Ultra-Green	572	Optional	2.0	2.3
AlGaInP	Ultra-Yellow	590		2.0	2.3
AlGaInP	Ultra-Orange	623		2.0	2.3
AlGaInP	Ultra-Red	630		2.0	2.3

# TOM-D2516

16x16 Ø3.0 Dot Matrix Display



### Features

- Various color
- IC compatible
- Excellent color uniformity
- Low current operation available
- Design flexibility
- Character and video display

### Application

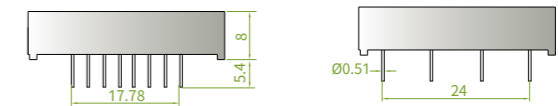
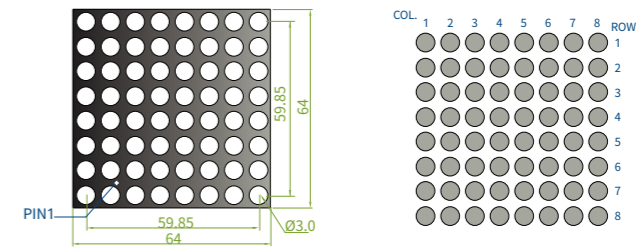
- Electronic marquee
- Commercial signboard
- Customization product



Chip			Face Color	VF(V) at IF=20mA	
Material	Emitted Color	$\lambda_d$ (nm)		TYP.	MAX.
AlGaInP	Ultra-Green	572	Optional	2.0	2.3
AlGaInP	Ultra-Yellow	590		2.0	2.3
AlGaInP	Ultra-Orange	623		2.0	2.3
AlGaInP	Ultra-Red	630		2.0	2.3

# TOM-1088

8x8 Ø3.0 Dot Matrix Display



### Features

- Various color
- IC compatible
- Excellent color uniformity
- Low current operation available
- Design flexibility
- Character and video display

### Application

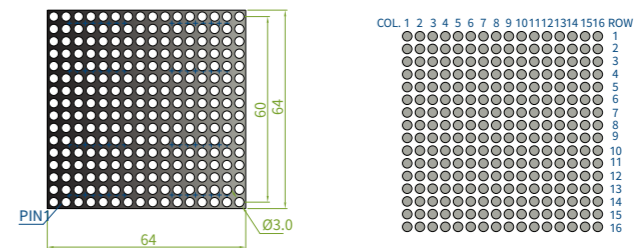
- Electronic marquee
- Commercial signboard
- Customization product



Chip			Face Color	VF(V) at IF=20mA	
Material	Emitted Color	$\lambda_d$ (nm)		TYP.	MAX.
AlGaInP	Ultra-Green	572	Optional	2.0	2.3
AlGaInP	Ultra-Yellow	590		2.0	2.3
AlGaInP	Ultra-Orange	623		2.0	2.3
AlGaInP	Ultra-Red	630		2.0	2.3

# TOM-D2516

16x16 Dot Matrix Display



### Features

- Various color
- IC compatible
- Excellent color uniformity
- Low current operation available
- Design flexibility
- Character and video display

### Application

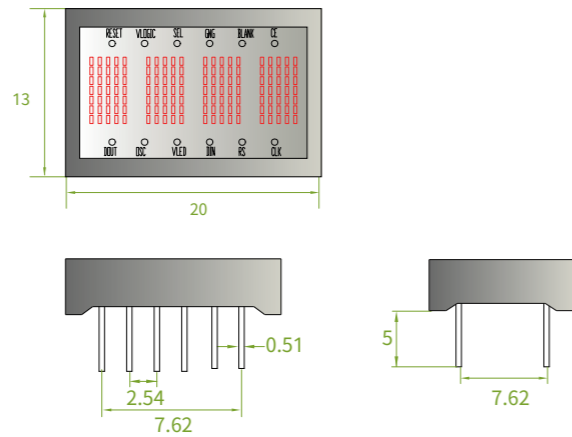
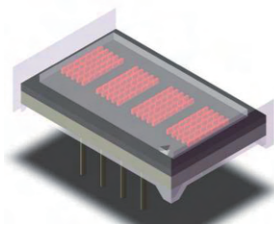
- Electronic marquee
- Commercial signboard
- Customization product



Chip			Face Color	VF(V) at IF=20mA	
Material	Emitted Color	$\lambda_d$ (nm)		TYP.	MAX.
AlGaInP	Ultra-Green	572	Optional	2.0	2.3
AlGaInP	Ultra-Yellow	590		2.0	2.3
AlGaInP	Ultra-Orange	623		2.0	2.3
AlGaInP	Ultra-Red	630		2.0	2.3

### TOMD-0457-MCU

4x(5x7) Dot Matrix Display Module



**Features**

- Display Size 20x13mm
- Interfaces directly with microprocessors
- Serial input
- I.C. compatible
- Display character count information with minimal data



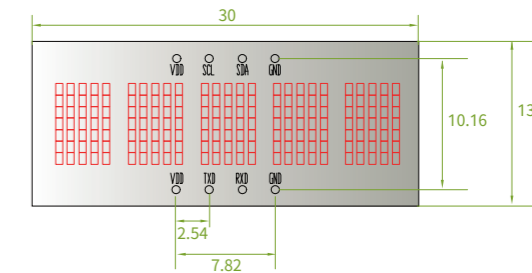
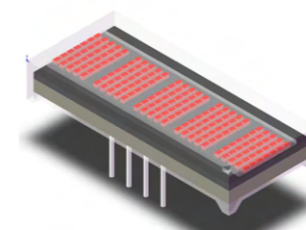
**Application**

- Telecommunications equipment
- Portable data entry devices
- Computer peripherals
- Medical equipment
- Industrial controls

Chip			Face Color	VF(V) at IF=20mA	
Material	Emitted Color	$\lambda_d$ (nm)		TYP.	MAX.
AlGaInP	Ultra-Green	572	Optional	2.0	2.3
AlGaInP	Ultra-Yellow	590		2.0	2.3
AlGaInP	Ultra-Orange	623		2.0	2.3
AlGaInP	Ultra-Red	630		2.0	2.3

### TOMD-0557

5x(5x7) Dot Matrix Display Module



**Features**

- Display Size 30x13mm
- Interfaces directly with microprocessors
- Serial input SPI
- I.C. compatible
- Display character count information with minimal data



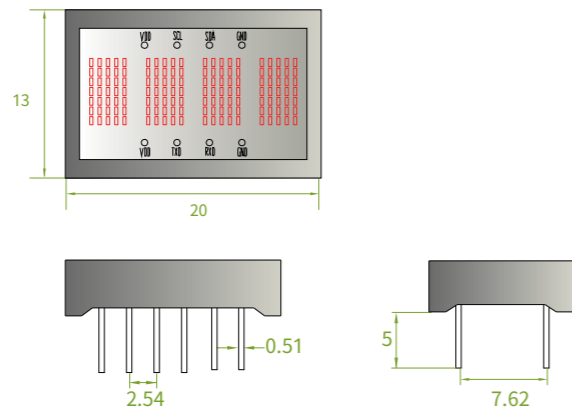
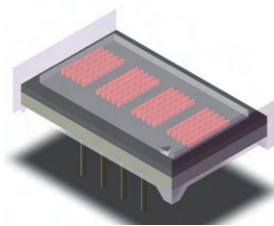
**Application**

- Telecommunications equipment
- Portable data entry devices
- Computer peripherals
- Medical equipment
- Industrial controls

Chip			Face Color	VF(V) at IF=20mA	
Material	Emitted Color	$\lambda_d$ (nm)		TYP.	MAX.
AlGaInP	Ultra-Green	572	Optional	2.0	2.3
AlGaInP	Ultra-Yellow	590		2.0	2.3
AlGaInP	Ultra-Orange	623		2.0	2.3
AlGaInP	Ultra-Red	630		2.0	2.3

### TOMD-0457

4x(5x7) Dot Matrix Display Module



**Features**

- Display Size 20x13mm
- Interfaces directly with microprocessors
- Serial input SPI
- I.C. compatible
- Display character count information with minimal data



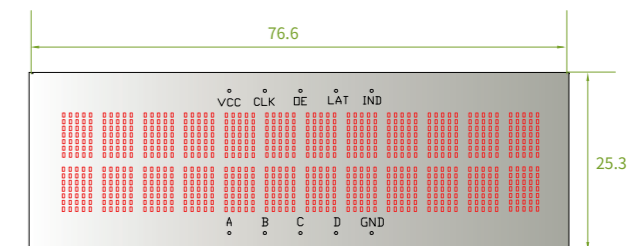
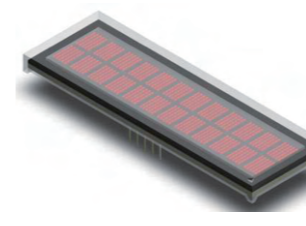
**Application**

- Telecommunications equipment
- Portable data entry devices
- Computer peripherals
- Medical equipment
- Industrial controls

Chip			Face Color	VF(V) at IF=20mA	
Material	Emitted Color	$\lambda_d$ (nm)		TYP.	MAX.
AlGaInP	Ultra-Green	572	Optional	2.0	2.3
AlGaInP	Ultra-Yellow	590		2.0	2.3
AlGaInP	Ultra-Orange	623		2.0	2.3
AlGaInP	Ultra-Red	630		2.0	2.3

### TOMD-2457

24x(5x7) Dot Matrix Display Module



**Features**

- Display Size 76.6x25.3mm
- Interfaces directly with microprocessors
- Serial input SPI
- I.C. compatible
- Display character count information with minimal data



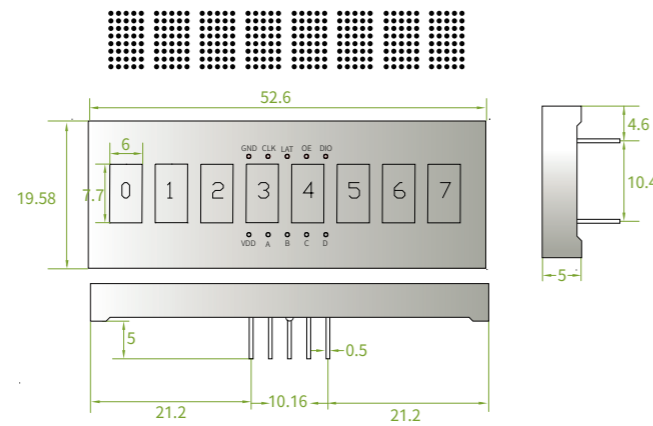
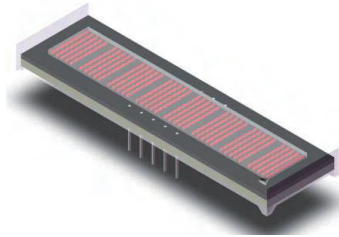
**Application**

- Telecommunications equipment
- Portable data entry devices
- Computer peripherals
- Medical equipment
- Industrial controls

Chip			Face Color	VF(V) at IF=20mA	
Material	Emitted Color	$\lambda_d$ (nm)		TYP.	MAX.
AlGaInP	Ultra-Green	572	Optional	2.0	2.3
AlGaInP	Ultra-Yellow	590		2.0	2.3
AlGaInP	Ultra-Orange	623		2.0	2.3
AlGaInP	Ultra-Red	630		2.0	2.3

# TOMD-0858

8x(5x8) Dot Matrix Display Module



### Features

- Display Size 52.6x19.58mm
- Interfaces directly with microprocessors
- Serial input SPI
- I.C. compatible
- Display character count information with minimal data

### Application

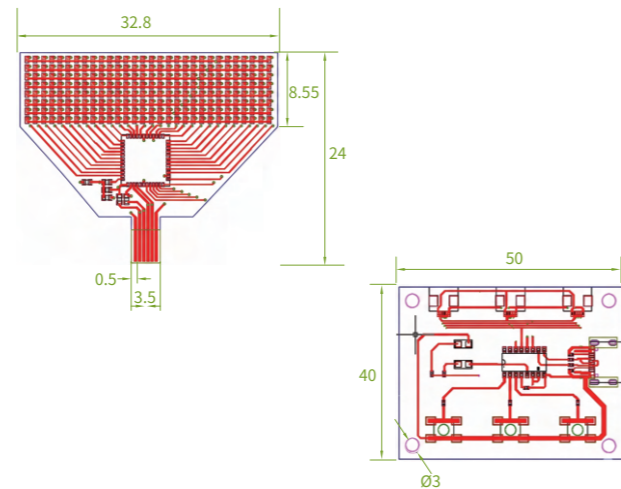
- Telecommunications equipment
- Portable data entry devices
- Computer peripherals
- Medical equipment
- Industrial controls



Chip			Face Color	VF(V) at IF=20mA	
Material	Emitted Color	$\lambda_d$ (nm)		TYP.	MAX.
AlGaInP	Ultra-Green	572	Optional	2.0	2.3
AlGaInP	Ultra-Yellow	590		2.0	2.3
AlGaInP	Ultra-Orange	623		2.0	2.3
AlGaInP	Ultra-Red	630		2.0	2.3

# TOMD-FPC

8x32 Dot Matrix Display Module



### Features

- Display Size 32.8x24mm
- Interfaces directly with microprocessors
- Serial input SPI
- I.C. compatible
- Display character count information with minimal data

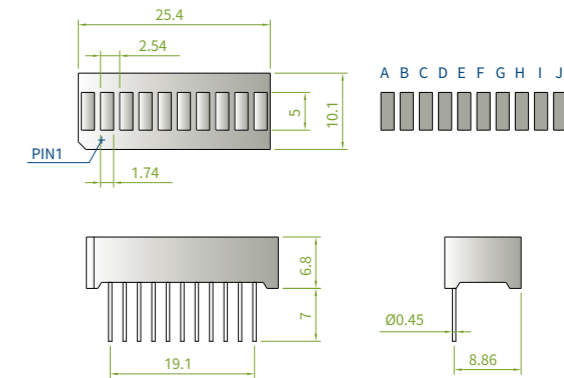
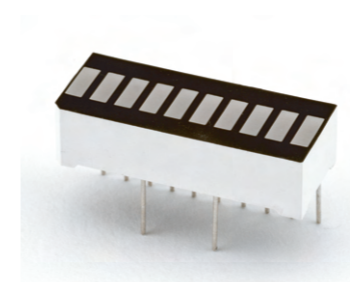
### Application

- Telecommunications equipment
- Portable data entry devices
- Computer peripherals
- Medical equipment
- Industrial controls



Chip			Face Color	VF(V) at IF=20mA	
Material	Emitted Color	$\lambda_d$ (nm)		TYP.	MAX.
AlGaInP	Ultra-Green	572	Optional	2.0	2.3
AlGaInP	Ultra-Yellow	590		2.0	2.3
AlGaInP	Ultra-Orange	623		2.0	2.3
AlGaInP	Ultra-Red	630		2.0	2.3

# TOA-B10Ax/Bx



### Features

- Various color
- IC compatible
- Excellent color uniformity
- Low current operation available
- Design flexibility

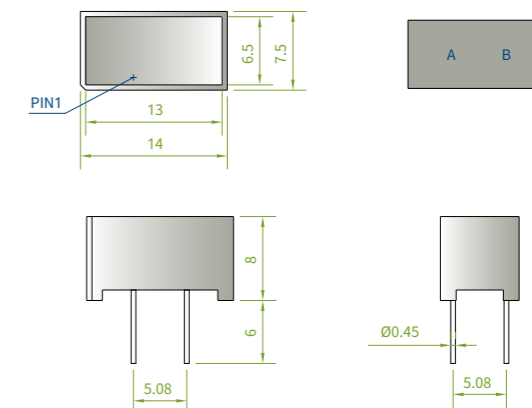
### Application

- Medical and industrial equipments
- Cashier machine
- Consumer and gaming electronics application
- Home appliance
- Customization product



Chip			Face Color	VF(V) at IF=20mA	
Material	Emitted Color	$\lambda_d$ (nm)		TYP.	MAX.
AlGaInP	Ultra-Green	572	Optional	2.0	2.3
AlGaInP	Ultra-Yellow	590		2.0	2.3
AlGaInP	Ultra-Orange	623		2.0	2.3
AlGaInP	Ultra-Red	630		2.0	2.3

# TOA-L10zx



### Features

- Various color
- IC compatible
- Excellent color uniformity
- Low current operation available
- Design flexibility

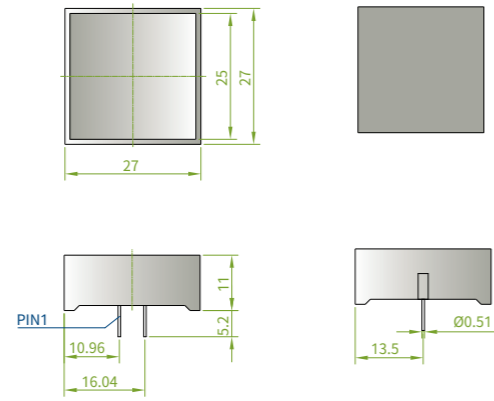
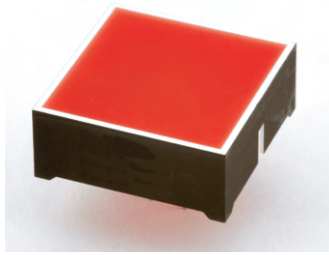
### Application

- Medical and industrial equipments
- Cashier machine
- Consumer and gaming electronics application
- Home appliance
- Customization product



Chip			Face Color	VF(V) at IF=20mA	
Material	Emitted Color	$\lambda_d$ (nm)		TYP.	MAX.
AlGaInP	Ultra-Green	572	Optional	2.0	2.3
AlGaInP	Ultra-Yellow	590		2.0	2.3
AlGaInP	Ultra-Orange	623		2.0	2.3
AlGaInP	Ultra-Red	630		2.0	2.3

### TOA-L17Zx



**Features**

- Various color
- IC compatible
- Excellent color uniformity
- Low current operation available
- Design flexibility

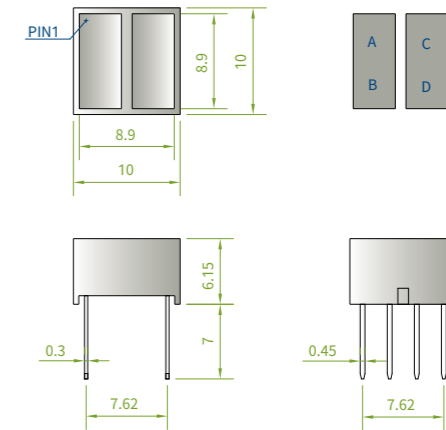
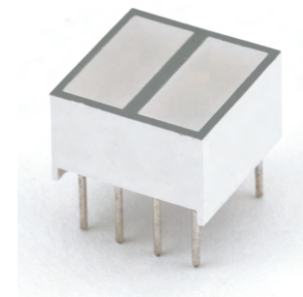
**Application**

- Medical and industrial equipments
- Cashier machine
- Consumer and gaming electronics application
- Home appliance
- Customization product



Chip			Face Color	VF(V) at IF=20mA	
Material	Emitted Color	λ <sub>d</sub> (nm)		TYP.	MAX.
AlGaInP	Ultra-Green	572	Optional	2.0	2.3
AlGaInP	Ultra-Yellow	590		2.0	2.3
AlGaInP	Ultra-Orange	623		2.0	2.3
AlGaInP	Ultra-Red	630		2.0	2.3

### TOA-L2700Zx



**Features**

- Various color
- IC compatible
- Excellent color uniformity
- Low current operation available
- Design flexibility

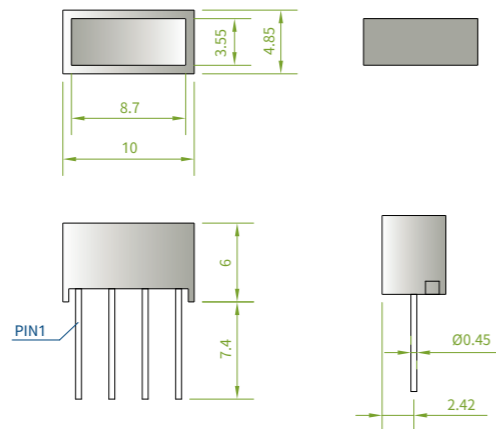
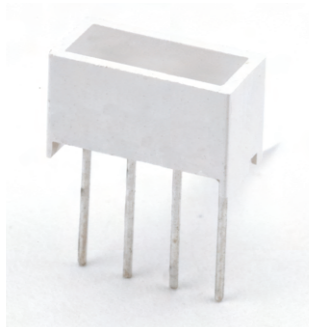
**Application**

- Medical and industrial equipments
- Cashier machine
- Consumer and gaming electronics application
- Home appliance
- Customization product



Chip			Face Color	VF(V) at IF=20mA	
Material	Emitted Color	λ <sub>d</sub> (nm)		TYP.	MAX.
AlGaInP	Ultra-Green	572	Optional	2.0	2.3
AlGaInP	Ultra-Yellow	590		2.0	2.3
AlGaInP	Ultra-Orange	623		2.0	2.3
AlGaInP	Ultra-Red	630		2.0	2.3

### TOA-L2500Zx



**Features**

- Various color
- IC compatible
- Excellent color uniformity
- Low current operation available
- Design flexibility

**Application**

- Medical and industrial equipments
- Cashier machine
- Consumer and gaming electronics application
- Home appliance
- Customization product



Chip			Face Color	VF(V) at IF=20mA	
Material	Emitted Color	λ <sub>d</sub> (nm)		TYP.	MAX.
AlGaInP	Ultra-Green	572	Optional	2.0	2.3
AlGaInP	Ultra-Yellow	590		2.0	2.3
AlGaInP	Ultra-Orange	623		2.0	2.3
AlGaInP	Ultra-Red	630		2.0	2.3

*Oasistek*<sup>®</sup>